

## Jet 140 - IP44 - MATT

Housing: fixed downlight in die cast aluminium complete with spring clips for recessed mounting. Reflector: in matt, anti-glare aluminium to optimise light efficiency. Screen: in anti-glare matt plastic material. Installation: equipped with galvanised steel support brackets, with housing for springs for attachment to the false ceilings.

Painting: dust painted, using polyester epoxy paint to withstand UV rays.

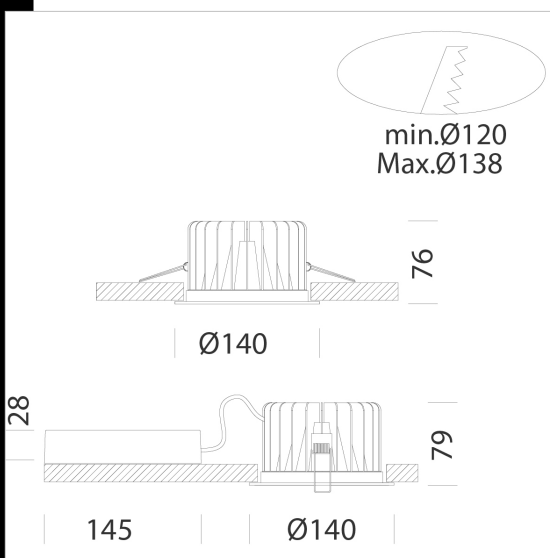
Regulations: Manufactured in accordance with standards EN60598 - CEI 34 -21. Degree of protection IP44 in accordance with standards EN60529.

Power factor: 0.9

Photobiological safety class: Exempt group.

Luminous flux maintenance 80%: 50.000h (L80B20).

recessed Ø 120/138mm



Code	Gear	Kg	Lumen Output-K-CRI	WTot	Colour
22065910-00	CLD	0,63	LED COB-2079lm-4000K-CRI>80	23 W	WHITE
22065910-1241	CLD-D-D	0,69	LED COB-2079lm-4000K-CRI>80	23 W	WHITE
22065910-39	CLD	0,60	LED COB-1933lm-3000K-CRI>80	23 W	WHITE
22065910-3941	CLD-D-D	0,68	LED COB-1933lm-3000K-CRI>80	23 W	WHITE

### Accessori



- EM Kit Q



### Download

DXF 2D  
- JET\_140 MATT.dxf

Montaggi  
- JET\_IP44 rev2.pdf

BIM  
- Jet 140 - IP44 - MATT -  
20200716.zip

The reported luminous flux is the flux emitted by the light source with a tolerance of  $\pm 10\%$  compared to the indicated value. The W tot column indicates the total wattage absorbed by the system without exceeding 10% of the indicated