

## Jet Q 220 - IP44

Housing: fixed downlight in die cast aluminium complete with spring clips for recessed mounting  
 Reflector: dark light optics in high gloss, anti-glare aluminium to optimise light efficiency.

Lens: in polycarbonate with high efficiency output and very low glare rate  
 Installation: is equipped with galvanised steel support brackets, with housing for springs for attachment to the false ceilings.

Painting: dust painted, using polyester epoxy paint to withstand UV rays.

Standard supply: Includes adjustable steel bracket.

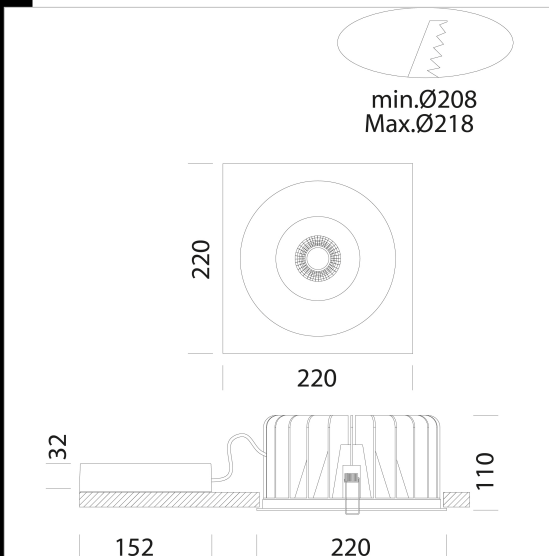
Regulations: Manufactured in accordance with standards EN60598 – CEI 34 –21. Degree of protection IP44 in accordance with standards EN60529.

Power factor: 0.9

Photobiological safety class: Exempt group.

Luminous flux maintenance 80%: 50.000h (L80B20).

recessed Ø 208/218mm



Code	Gear	Kg	Lumen Output-K-CRI	WTot	Colour
22065717-39	CLD CELL	1,87	LED COB-5225lm-3000K-CRI 90	55 W	WHITE
22065717-00	CLD CELL	1,84	LED COB-5618lm-4000K-CRI 90	55 W	WHITE
22065717-3941	CLD CELL-D-D	1,90	LED COB-5225lm-3000K-CRI 90	51 W	WHITE
22065717-1241	CLD CELL-D-D	1,90	LED COB-5618lm-4000K-CRI 90	51 W	WHITE
22065717-0928	CLD CELL-E	2,20	LED COB-5225lm-3000K-CRI 90	55 W	WHITE
22065717-09	CLD CELL-E	2,20	LED COB-5618lm-4000K-CRI 90	55 W	WHITE
22065717-3957	CLD CELL-E	2,20	LED COB-5225lm-3000K-CRI 90	55 W	WHITE
22065717-31	CLD CELL-E	2,20	LED COB-5618lm-4000K-CRI 90	55 W	WHITE



### Download

DXF 2D  
 - jet220n.dxf

Montaggi  
 - JET IP44 rev3.pdf

BIM  
 - Jet Q 220 - IP44 - 20200716.zip

The reported luminous flux is the flux emitted by the light source with a tolerance of  $\pm 10\%$  compared to the indicated value. The W tot column indicates the total wattage absorbed by the system without exceeding 10% of the indicated