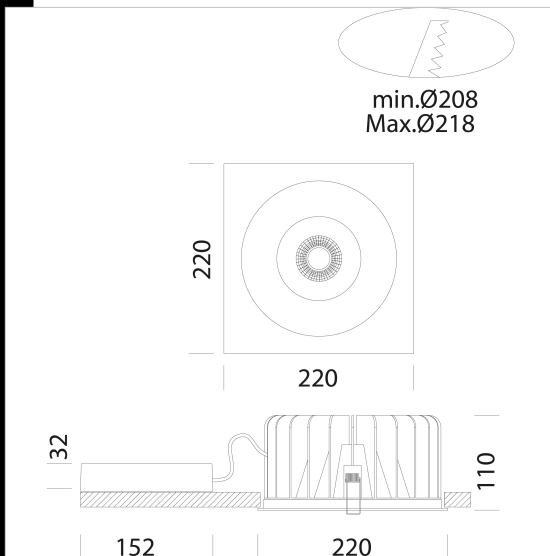


## Jet Q 220 - IP44



Housing: fixed downlight in die cast aluminium complete with spring clips for recessed mounting  
 Reflector: dark light optics in high gloss, anti-glare aluminium to optimise light efficiency.  
 Lens: in polycarbonate with high efficiency output and very low glare rate  
 Installation: is equipped with galvanised steel support brackets, with housing for springs for attachment to the false ceilings.  
 Painting: dust painted, using polyester epoxy paint to withstand UV rays.  
 Standard supply: Includes adjustable steel bracket.  
 Regulations: Manufactured in accordance with standards EN60598 – CEI 34 –21. Degree of protection IP44 in accordance with standards EN60529.  
 Power factor: 0.9  
 Photobiological safety class: Exempt group.  
 Luminous flux maintenance 80%: 50.000h (L80B20).  
 recessed Ø 208/218mm



Code	Gear	Kg	Lumen Output-K-CRI	WTot	Colour
22065717-39	CLD	1,87	LED COB-5225lm-3000K-CRI>90	52 W	WHITE
22065717-00	CLD	1,84	LED COB-5676lm-4000K-CRI>90	52 W	WHITE
22065717-3941	CLD CELL-D-D	1,90	LED COB-5225lm-3000K-CRI>90	51 W	WHITE
22065717-1241	CLD CELL-D-D	1,90	LED COB-5676lm-4000K-CRI>90	51 W	WHITE

### Accessori



- EM Kit Q



### Download

- DXF 2D  
- jet220n.dxf
- Montaggi  
- JET IP44 rev3.pdf
- BIM  
- Jet Q 220 - IP44 - 20200716.zip

The reported luminous flux is the flux emitted by the light source with a tolerance of ± 10% compared to the indicated value. The W tot column indicates the total wattage absorbed by the system without exceeding 10% of the indicated