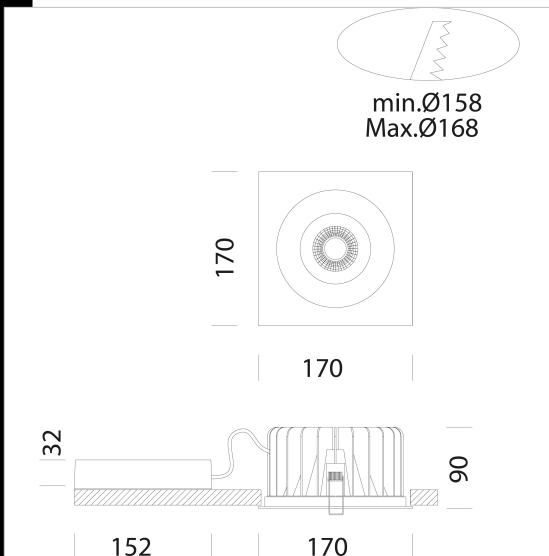


Jet Q 170 - IP44

Housing: fixed downlight in die cast aluminium complete with spring clips for recessed mounting
 Reflector: dark light optics in high gloss, anti-glare aluminium to optimise light efficiency.
 Lens: in polycarbonate with high efficiency output and very low glare rate
 Installation: is equipped with galvanised steel support brackets, with housing for springs for attachment to the false ceilings.
 Painting: dust painted, using polyester epoxy paint to withstand UV rays.
 Standard supply: Includes adjustable steel bracket.
 Regulations: Manufactured in accordance with standards EN60598 – CEI 34 –21. Degree of protection IP44 in accordance with standards EN60529.
 Power factor: 0.9
 Photobiological safety class: Exempt group.
 Luminous flux maintenance 80%: 50.000h (L80B20).
 recessed Ø 158/168mm



Code	Gear	Kg	Lumen Output-K-CRI	WTot	Colour
22065714-39	CLD CELL	1,06	LED COB-4173lm-3000K-CRI 90	44 W	WHITE
22065714-00	CLD CELL	2,30	LED COB-4487lm-4000K-CRI 90	44 W	WHITE
22065714-3941	CLD CELL-D-D	2,30	LED COB-4173lm-3000K-CRI 90	44 W	WHITE
22065714-1241	CLD CELL-D-D	2,30	LED COB-4487lm-4000K-CRI 90	44 W	WHITE
22065714-0928	CLD CELL-E	2,20	LED COB-4173lm-3000K-CRI 90	41 W	WHITE
22065714-09	CLD CELL-E	2,20	LED COB-4487lm-4000K-CRI 90	41 W	WHITE
22065714-3957	CLD CELL-E	2,30	LED COB-4173lm-3000K-CRI 90	44 W	WHITE
22065714-31	CLD CELL-E	2,30	LED COB-4487lm-4000K-CRI 90	44 W	WHITE

-
-
-
-
-
-
-
-
-
-
-
-
- v.a. IP20
- CLD
- v.l. IP44
- IK04
-
- DIMM DIG
- CLD-DD (DALI)
- CLD E
- RG0
- Colour quality
-
- LOW FLICKER

Download
 DXF 2D
 - jet170n.dxf
 Montaggi
 - JET IP44 rev3.pdf
 BIM
 - Jet Q 170 - IP44 - 20200716.zip

The reported luminous flux is the flux emitted by the light source with a tolerance of ± 10% compared to the indicated value. The W tot column indicates the total wattage absorbed by the system without exceeding 10% of the indicated