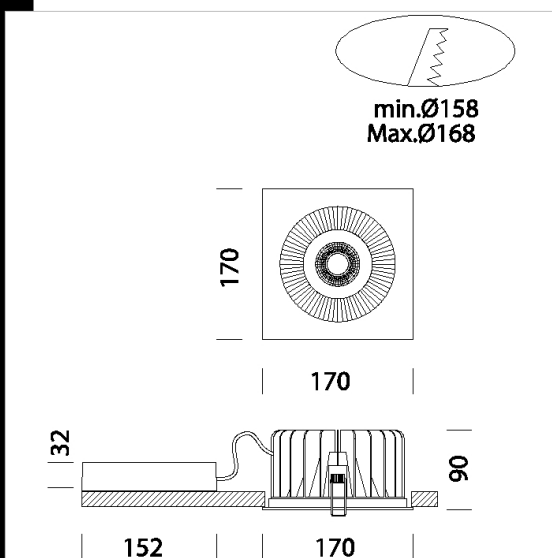


Jet Q 170 - IP65

Housing: fixed downlight in die cast aluminium complete with spring clips for recessed mounting
 Reflector: dark light optics in high gloss, anti-glare aluminium to optimise light efficiency.
 Installation: is equipped with galvanised steel support brackets, with housing for springs for attachment to the false ceilings.
 Painting: dust painted, using polyester epoxy paint to withstand UV rays.
 Standard supply: Includes adjustable steel bracket.
 Regulations: Manufactured in accordance with standards EN60598 – CEI 34 –21. Degree of protection IP65 in accordance with standards EN60529.
 Power factor: 0.9
 Photobiological safety class: Exempt group.
 Luminous flux maintenance 80%: 50.000h (L80B20).
 recessed Ø 158/168mm



Code	Gear	Kg	Lumen Output-K-CRI	WTot	Colour
22065713-39	CLD	1,49	LED COB-3251lm-3000K-CRI>90	32 W	WHITE
22065713-00	CLD	2,30	LED COB-3423lm-4000K-CRI>90	32 W	WHITE
22065713-3941	CLD CELL-D-D	2,30	LED COB-3251lm-3000K-CRI>90	35 W	WHITE
22065713-1241	CLD CELL-D-D	2,30	LED COB-3423lm-4000K-CRI>90	35 W	WHITE



Download

- DXF 2D
- jet170.dxf
- Montaggi
- JET IP65 REV7.pdf
- BIM
- JET Q 170 - IP65 - 20200716.zip

The reported luminous flux is the flux emitted by the light source with a tolerance of ± 10% compared to the indicated value. The W tot column indicates the total wattage absorbed by the system without exceeding 10% of the indicated