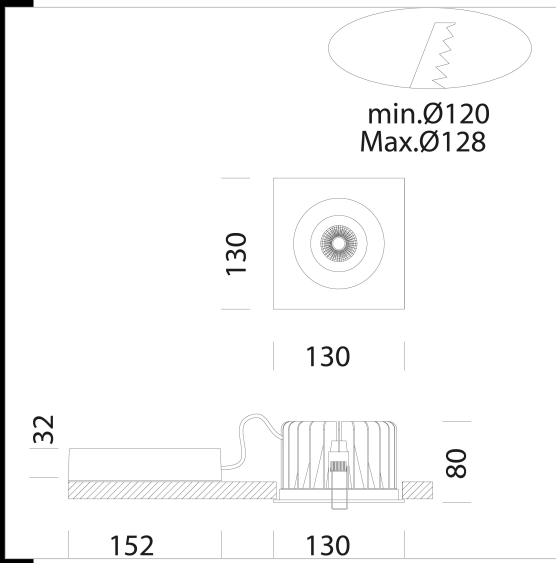


## Jet Q 130 - IP44

Housing: fixed downlight in die cast aluminium complete with spring clips for recessed mounting  
 Reflector: dark light optics in high gloss, anti-glare aluminium to optimise light efficiency.  
 Lens: in polycarbonate with high efficiency output and very low glare rate  
 Installation: is equipped with galvanised steel support brackets, with housing for springs for attachment to the false ceilings.  
 Painting: dust painted, using polyester epoxy paint to withstand UV rays.  
 Standard supply: Includes adjustable steel bracket.  
 Regulations: Manufactured in accordance with standards EN60598 – CEI 34 –21. Degree of protection IP44 in accordance with standards EN60529.  
 Power factor: 0.9  
 Photobiological safety class: Exempt group.  
 Luminous flux maintenance 80%: 50.000h (L80B20).  
 recessed Ø 120/128mm



**Download**  
 DXF 2D  
 - jet130n.dxf  
 Montaggi  
 - JET IP44 rev3.pdf  
 BIM  
 - Jet Q 130 - IP44 - 20200716.zip

Code	Gear	Kg	Lumen Output-K-CRI	WTot	Colour
22065710-39	CLD CELL	0,65	LED COB-2059lm-3000K-CRI 90	23 W	WHITE
22065710-00	CLD CELL	0,66	LED COB-2214lm-4000K-CRI 90	23 W	WHITE
22065710-3941	CLD CELL-D-D	0,75	LED COB-2059lm-3000K-CRI 90	23 W	WHITE
22065710-1241	CLD CELL-D-D	0,75	LED COB-2214lm-4000K-CRI 90	23 W	WHITE
22065710-0928	CLD CELL-E	0,75	LED COB-2059lm-3000K-CRI 90	23 W	WHITE
22065710-09	CLD CELL-E	0,75	LED COB-2214lm-4000K-CRI 90	23 W	WHITE
22065710-3957	CLD CELL-E	1,18	LED COB-2059lm-3000K-CRI 90	23 W	WHITE
22065710-31	CLD CELL-E	0,75	LED COB-2214lm-4000K-CRI 90	23 W	WHITE

The reported luminous flux is the flux emitted by the light source with a tolerance of ± 10% compared to the indicated value. The W tot column indicates the total wattage absorbed by the system without exceeding 10% of the indicated