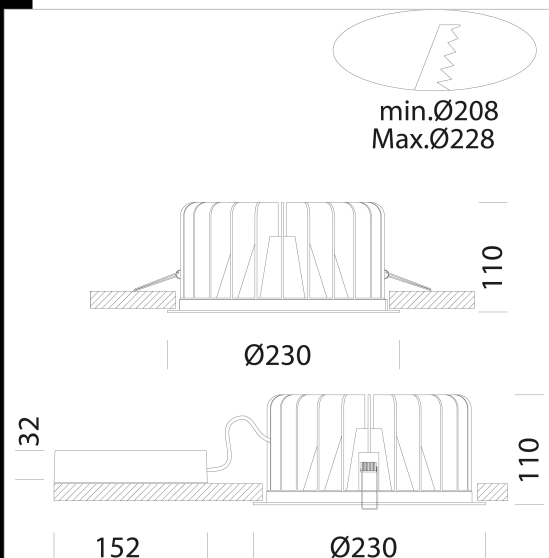


## Jet 230 - IP44

Housing: fixed downlight in die cast aluminium complete with spring clips for recessed mounting  
 Reflector: dark light optics in high gloss, anti-glare aluminium to optimise light efficiency.  
 Lens: in polycarbonate with high efficiency output and very low glare rate  
 Installation: equipped with galvanised steel support brackets, with housing for springs for attachment to the false ceilings.  
 Painting: dust painted, using polyester epoxy paint to withstand UV rays.  
 Standard supply: Includes adjustable steel bracket.  
 Regulations: Manufactured in accordance with standards EN60598 – CEI 34 –21. Degree of protection IP44 in accordance with standards EN60529.  
 Power factor: 0.9  
 Photobiological safety class: Exempt group.  
 Luminous flux maintenance 80%: 50.000h (L80B20).  
 recessed Ø 208/228mm



| Code          | Gear         | Kg   | Lumen Output-K-CRI          | WTot | Colour |
|---------------|--------------|------|-----------------------------|------|--------|
| 22065617-39   | CLD CELL     | 1,80 | LED COB-5225lm-3000K-CRI 90 | 55 W | WHITE  |
| 22065617-00   | CLD CELL     | 1,80 | LED COB-5618lm-4000K-CRI 90 | 55 W | WHITE  |
| 22065617-3941 | CLD CELL-D-D | 1,80 | LED COB-5225lm-3000K-CRI 90 | 55 W | WHITE  |
| 22065617-1241 | CLD CELL-D-D | 1,80 | LED COB-5618lm-4000K-CRI 90 | 55 W | WHITE  |
| 22065617-0928 | CLD CELL-E   | 1,80 | LED COB-5225lm-3000K-CRI 90 | 55 W | WHITE  |
| 22065617-09   | CLD CELL-E   | 1,80 | LED COB-5618lm-4000K-CRI 90 | 55 W | WHITE  |
| 22065617-3957 | CLD CELL-E   | 1,80 | LED COB-5225lm-3000K-CRI 90 | 55 W | WHITE  |
| 22065617-31   | CLD CELL-E   | 1,80 | LED COB-5618lm-4000K-CRI 90 | 55 W | WHITE  |



**Download**  
 DXF 2D  
 - jet230n.dxf  
 Montaggi  
 - JET IP44 rev3.pdf  
 BIM  
 - Jet 230 - IP44 - 20200716.zip

The reported luminous flux is the flux emitted by the light source with a tolerance of ± 10% compared to the indicated value. The W tot column indicates the total wattage absorbed by the system without exceeding 10% of the indicated