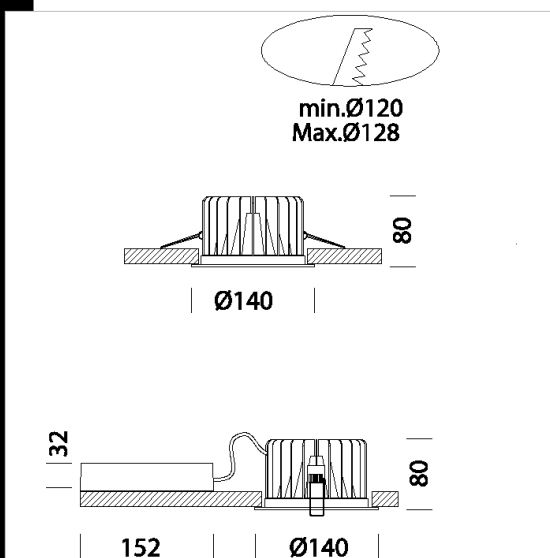


## Jet 140 - IP65

Housing: fixed downlight in die cast aluminium complete with spring clips for recessed mounting  
 Reflector: dark light optics in high gloss, anti-glare aluminium to optimise light efficiency.  
 Installation: equipped with galvanised steel support brackets, with housing for springs for attachment to the false ceilings.  
 Painting: dust painted, using polyester epoxy paint to withstand UV rays.  
 Standard supply: Includes adjustable steel bracket.  
 Regulations: Manufactured in accordance with standards EN60598 – CEI 34 –21. Degree of protection IP65 in accordance with standards EN60529.  
 Power factor: 0.9  
 Photobiological safety class: Exempt group.  
 Luminous flux maintenance 80%: 50.000h (L80B20).  
 recessed Ø 120/138mm



Code	Gear	Kg	Lumen Output-K-CRI	WTot	Colour
22065612-39	CLD	0,98	LED COB-1797lm-3000K-CRI>90	23 W	WHITE
22065612-00	CLD	1,52	LED COB-1892lm-4000K-CRI>90	23 W	WHITE
22065612-3941	CLD-D-D	1,14	LED COB-1797lm-3000K-CRI>90	23 W	WHITE
22065612-1241	CLD-D-D	1,38	LED COB-1892lm-4000K-CRI>90	23 W	WHITE



### Download

- DXF 2D  
- jet140.dxf
- Montaggi  
- JET IP65 REV7.pdf
- BIM  
- Jet 140 - IP65 - 20200224.zip  
- JET 140 - IP65 - 20200716.zip

The reported luminous flux is the flux emitted by the light source with a tolerance of ± 10% compared to the indicated value. The W tot column indicates the total wattage absorbed by the system without exceeding 10% of the indicated