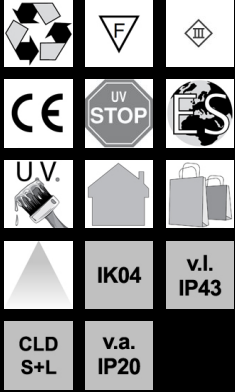


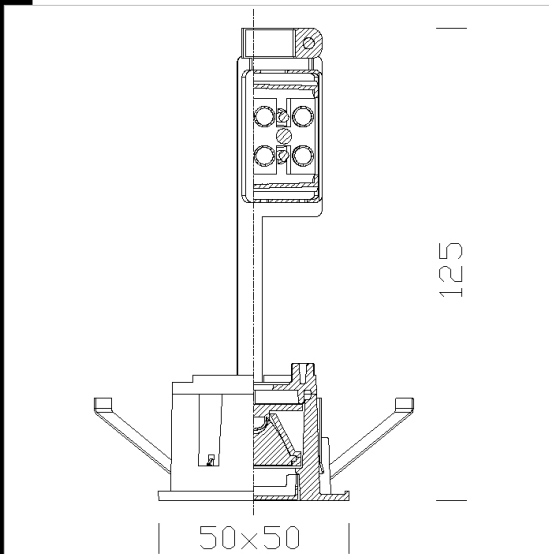
**Q45 - LED FULLCOLOR RGB**



Housing: Die cast zama (zinc aluminium and magnesium alloy).  
 Wiring: Separate 350 (22090870-00 max 9 spot); dc transformer; RGB version can be used with a MASTER and SLAVE (22090871-00) control module.  
 Equipment: Standard version supplied with band springs for suspended ceilings more than 5 mm thick; use flush-finish springs for suspended ceilings with a thickness from 1 to 5 mm.  
 Standards: Products comply with EN 60598-1-CEI 34.21 standards, with a level of protection complying with EN 60529 standards.  
 Complete with POWERLED RGB 3.2W - R30 / G40 / B9 - 40°  
 Lens opening angle can be selected (10°-25°-30°-40°).  
 Supplied complete with self-tapping screws for installation on wood, plasterboard or sheet metal panels. MASTER (code 22090870-00) and SLAVE (code 22090871-00) can be purchased separately if 9 spotlights are to be operated in synchronous mode.

**Download**

DXF 2D  
- q45rgb.dxf



Code	Gear	Kg	Watt	Base	Lamps	Colour
22064573-00	CLD S+L	0,22	LED 3.2W RGB		--	SILVER
22064564-00	CLD S+L	0,22	LED 3.2W RGB		--	CHROME
22064512-00	CLD S+L	0,22	LED 3.2W RGB		--	WHITE

**Accessories**

