



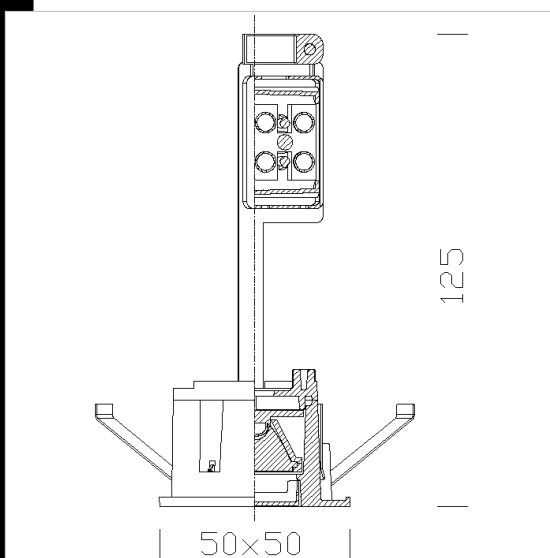
## Q45 - LED White

Housing: Die cast zama (zinc aluminium and magnesium alloy).  
 Wiring: Separate 350mA (22090832-00 max 1 spot, 22090837-00 max 5 spot )  
 700mA (22090835-00 max 1 spot) dc transformer;  
 Equipment: Standard version supplied with band springs for suspended  
 ceilings more than 5 mm thick; use flush-finish springs for suspended ceilings  
 with a thickness from 1 to 5 mm.  
 Standards: Products comply with EN 60598-1-CEI 34.21 standards, with a  
 level of protection complying with EN 60529 standards.  
 LED 3w - 3000K - 300lm - 24°  
 LED 6w - 3000K - 600lm - 24°

### Download

DXF 2D  
 - q45.dxf

Montaggi  
 - m45 -q45.pdf



Code	Gear	Kg	Watt	Base	Lamps	Colour
22064572-00	CLD S+L	0,15	LED white 6W	-	600lm-3000K - 24°-CRI 80	SILVER
22064511-00	CLD S+L	0,15	LED white 6W	-	600lm-3000K - 24°-CRI 80	WHITE
22064562-00	CLD S+L	0,13	LED white 3W	-	300lm-3000K - 24°-CRI 80	CHROME
22064510-00	CLD S+L	0,15	LED white 3W	-	300lm-3000K - 24°-CRI 80	WHITE
22064563-00	CLD S+L	0,15	LED white 6W	-	600lm-3000K - 24°-CRI 80	CHROME
22064571-00	CLD S+L	0,15	LED white 3W	-	300lm-3000K - 24°-CRI 80	SILVER

### Accessori



- 700mA LED power supply



- 350mA LED power supply