

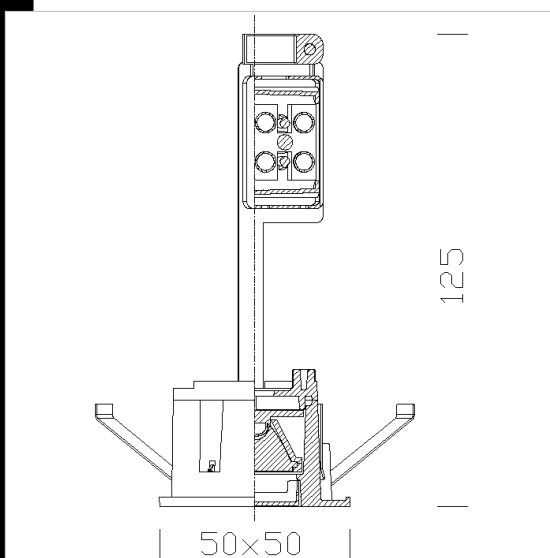
Download

DXF 2D
- q45.dxf

Montaggi
- M45_Q45.pdf

Q45 - LED White

Housing: Die cast zama (zinc aluminium and magnesium alloy).
 Wiring: Separate 350mA (22090832-00 max 1 spot, 22090837-00 max 5 spot) 700mA (22090835-00 max 1 spot) dc transformer;
 Equipment: Standard version supplied with band springs for suspended ceilings more than 5 mm thick; use flush-finish springs for suspended ceilings with a thickness from 1 to 5 mm.
 Standards: Products comply with EN 60598-1-CEI 34.21 standards, with a level of protection complying with EN 60529 standards.
 LED 3w - 3000K - 300lm - 24°
 LED 6w - 3000K - 600lm - 24°



Code	Gear	Kg	Lumen Output-K-CRI	WTot	Colour
22064562-00	CLD S+L	0.13	LED-225lm-3000K-24°-CRI 80	4 W	CROMATO
22064510-00	CLD S+L	0.15	LED-225lm-3000K-24°-CRI 80	4 W	BIANCO
22064571-00	CLD S+L	0.15	LED-225lm-3000K-24°-CRI 80	4 W	ARGENTO

Accessories



- 700mA LED power supply



- 350mA LED power supply

The reported luminous flux is the flux emitted by the light source with a tolerance of ± 10% compared to the indicated value. The W tot column indicates the total wattage absorbed by the system without exceeding 10% of the indicated