



Deimos 230V

These small-size, easy-to-install recessed spotlights are designed for 12V or 230V dichroic lamps and have the advantage of requiring very basic maintenance. Very good value.

Optionally these fixtures can be installed on shooks (step 100)

Housing: Made of sheet steel.

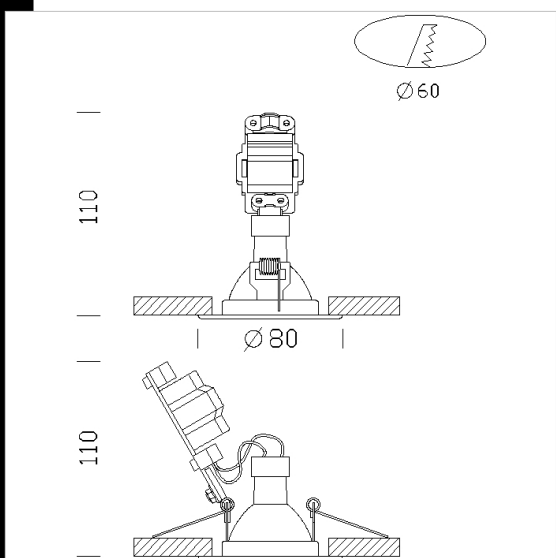
Lampholder: Ceramic with silver-plated contacts.

Coating: Humidity-resistant acrylic-resin liquid paint, UV-stabilised, . A different galvanic finishing process is used for chromium-plated and polished brass versions.

Electric gear: Transformer to be purchased separately.

Regulations: Manufactured in accordance with standards EN60598 – 1 - CEI 34.21. Degree of protection in accordance with standards EN60529.

Lamps: Version includes ALO 230V lamps (warm colour).



Code	Gear	Kg	Lumen-K-CRI	WTot	Base	Colour
22064068-00	S+L	0.16	ALO 50-950cd-2900K-Ra 100	50 W	GU10	CROMATO
22064018-00	S+L	0.16	ALO 50-950cd-2900K-Ra 100	50 W	GU10	BIANCO
22064078-00	S+L	0.16	ALO 50-950cd-2900K-Ra 100	50 W	GU10	ARGENTO
22064098-00	S+L	0.16	ALO 50-950cd-2900K-Ra 100	50 W	GU10	OTTONE
22064038-00	S+L	0.16	ALO 50-950cd-2900K-Ra 100	50 W	GU10	NERO

The reported luminous flux is the flux emitted by the light source with a tolerance of $\pm 10\%$ compared to the indicated value. The W tot column indicates the total wattage absorbed by the system without exceeding 10% of the indicated