

Deimos 12 Volt with lamp + glass

These small-size, easy-to-install recessed spotlights are designed for 12V or 230V dichroic lamps and have the advantage of requiring very basic maintenance. Very good value.

Optionally these fixtures can be installed on shooks (step 100)

Housing: Made of sheet steel.

Lampholder: Ceramic with silver-plated contacts.

Coating: Humidity-resistant acrylic-resin liquid paint, UV-stabilised. A different galvanic finishing process is used for chromium-plated and polished brass versions.

Electric gear: Transformer to be purchased separately.

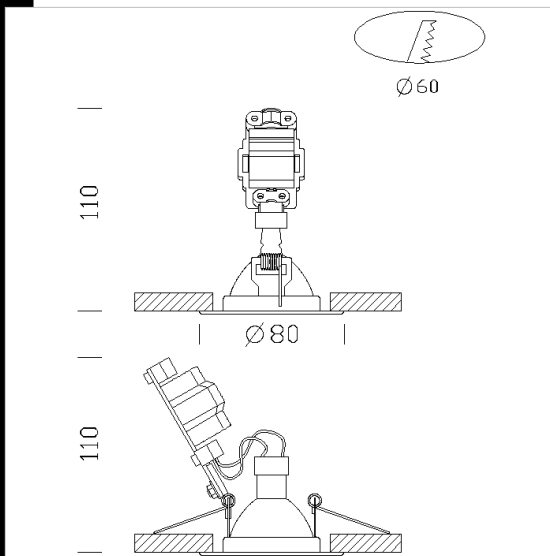
Regulations: Manufactured in accordance with standards EN60598 – 1 - CEI 34.21. Degree of protection in accordance with standards EN60529.

Lamps: Version includes DICR lamps.

Download

DXF 2D
- 63919.dxf

Montaggi
- JANUS-DEIMOS-MAC_alo.pdf



Code	Gear	Kg	WTot	Colour
22063979-00	S+L	0.12	50 W	ARGENTO
22063998-00	S+L	0.12	50 W	OTTONE
22063939-00	S+L	0.12	50 W	NERO
22063919-00	S+L	0.12	50 W	BIANCO
22063969-00	S+L	0.12	50 W	CROMATO

The reported luminous flux is the flux emitted by the light source with a tolerance of $\pm 10\%$ compared to the indicated value. The W tot column indicates the total wattage absorbed by the system without exceeding 10% of the indicated