

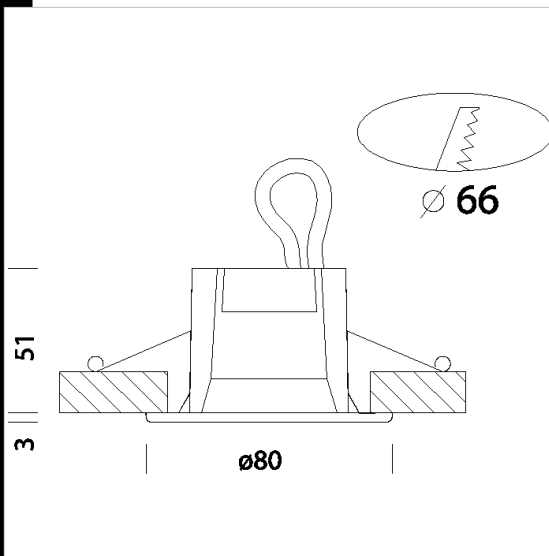
Sirio MASTERLED 7-10W

Housing: Die-cast zamak.

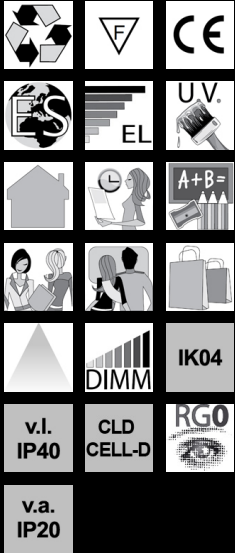
Coating: Humidity-resistant acrylic-resin liquid paint, UV-stabilised. A different galvanic finishing process is used for chromium-plated and polished brass versions.

Regulations: Manufactured in accordance with standards EN60598 - 1 - CEI 34.21. Degree of protection in accordance with standards EN60529.

MASTERLED: particularly suited for public spaces such as reception halls, entrance lobbies, corridors, stairways and bathrooms where lights stay on all day, 40,000 hours of lifespan, and 80% energy saving compared to ALO 35W.



Code	Gear	Kg	Watt	Base	Lamps	Colour
22063417-00	CLD S+L	0,22	MASTERLED 7W	GU5.3	410lm-3000K - 25°-CRI 80	WHITE
22063418-00	CLD S+L	0,22	MASTERLED 10W	GU5.3	650lm-3000K-24°	WHITE
22063437-00	CLD S+L	0,22	MASTERLED 7W	GU5.3	410lm-3000K - 25°-CRI 80	BLACK
22063438-00	CLD S+L	0,20	MASTERLED 10W	GU5.3	650lm-3000K-24°	BLACK
22063467-00	CLD S+L	0,20	MASTERLED 7W	GU5.3	410lm-3000K - 25°-CRI 80	CHROME
22063468-00	CLD S+L	0,22	MASTERLED 10W	GU5.3	650lm-3000K-24°	CHROME
22063477-00	CLD S+L	0,20	MASTERLED 7W	GU5.3	410lm-3000K - 25°-CRI 80	SILVER
22063478-00	CLD S+L	0,22	MASTERLED 10W	GU5.3	650lm-3000K-24°	SILVER
22063497-00	CLD S+L	0,22	MASTERLED 7W	GU5.3	410lm-3000K - 25°-CRI 80	BRASS
22063498-00	CLD S+L	0,22	MASTERLED 10W	GU5.3	650lm-3000K-24°	BRASS



Download

DXF 2D
- sirioled.dxf