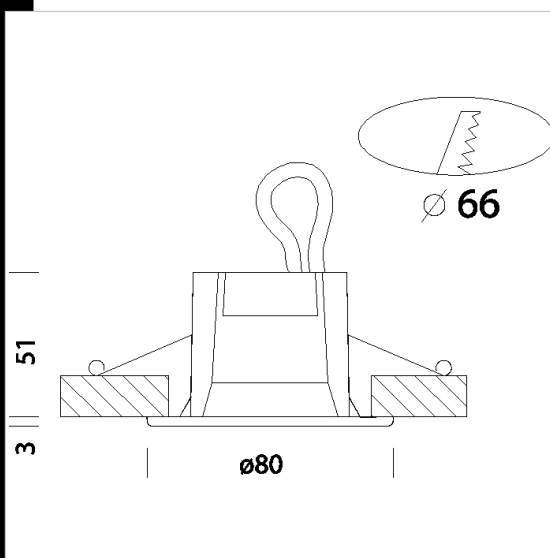


Sirio MASTERLED

Housing: Die-cast zamak.

Coating: Humidity-resistant acrylic-resin liquid paint, UV-stabilised. A different galvanic finishing process is used for chromium-plated and polished brass versions.

Regulations: Manufactured in accordance with standards EN60598 - 1 - CEI 34.21. Degree of protection in accordance with standards EN60529.



Code	Gear	Kg	Lumen Output-K-CRI	WTot	Colour
22063418-00	CLD CELL-D	0,22	MASTERLED-410lm-3000K-24°-CRI 90	8 W	BIANCO
22063438-00	CLD CELL-D	0,20	MASTERLED-410lm-3000K-24°-CRI 90	8 W	NERO
22063478-00	CLD CELL-D	0,22	MASTERLED-410lm-3000K-24°-CRI 90	8 W	ARGENTO
22063468-00	CLD CELL-D	0,22	MASTERLED-410lm-3000K-24°-CRI 90	8 W	CROMATO
22063498-00	CLD CELL-D	0,22	MASTERLED-410lm-3000K-24°-CRI 90	8 W	OTTONE



Download

DXF 2D
- sirioled.dxf

The reported luminous flux is the flux emitted by the light source with a tolerance of $\pm 10\%$ compared to the indicated value. The W tot column indicates the total wattage absorbed by the system without exceeding 10% of the indicated