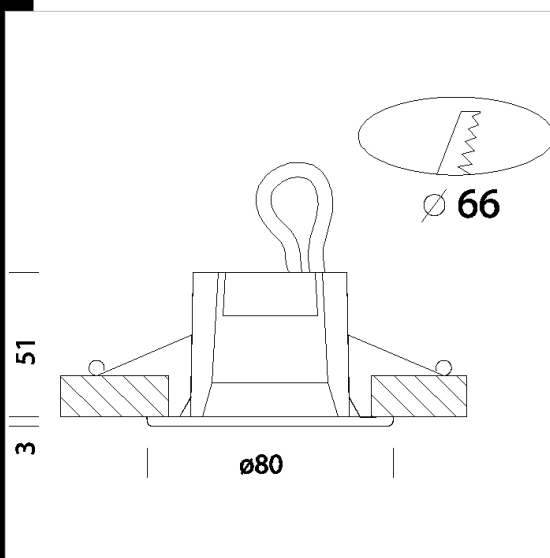


## Sirio MASTERLED

Housing: Die-cast zamak.

Coating: Humidity-resistant acrylic-resin liquid paint, UV-stabilised. A different galvanic finishing process is used for chromium-plated and polished brass versions.

Regulations: Manufactured in accordance with standards EN60598 - 1 - CEI 34.21. Degree of protection in accordance with standards EN60529.



| Code        | Gear       | Kg   | Watt         | Base  | Lamps                    | Colour |
|-------------|------------|------|--------------|-------|--------------------------|--------|
| 22063418-00 | CLD CELL-D | 0,22 | MASTERLED 8W |       | 660lm-3000K - 24°-CRI 80 | WHITE  |
| 22063467-00 | CLD S+L    | 0,20 | MASTERLED 7W | GU5.3 | 410lm-3000K - 25°-CRI 80 | CHROME |
| 22063438-00 | CLD CELL-D | 0,20 | MASTERLED 8W |       | 660lm-3000K - 24°-CRI 80 | BLACK  |
| 22063478-00 | CLD CELL-D | 0,22 | MASTERLED 8W |       | 660lm-3000K - 24°-CRI 80 | SILVER |
| 22063468-00 | CLD CELL-D | 0,22 | MASTERLED 8W |       | 660lm-3000K - 24°-CRI 80 | CHROME |
| 22063497-00 | CLD S+L    | 0,22 | MASTERLED 7W | GU5.3 | 410lm-3000K - 25°-CRI 80 | BRASS  |
| 22063417-00 | CLD S+L    | 0,22 | MASTERLED 7W | GU5.3 | 410lm-3000K - 25°-CRI 80 | WHITE  |
| 22063498-00 | CLD CELL-D | 0,22 | MASTERLED 8W |       | 660lm-3000K - 24°-CRI 80 | BRASS  |
| 22063477-00 | CLD S+L    | 0,20 | MASTERLED 7W | GU5.3 | 410lm-3000K - 25°-CRI 80 | SILVER |



v.a.  
IP20

Download

DXF 2D  
- sirioled.dxf