



**Download**

DXF 2D  
- ecojanus.dxf

Montaggi  
- ECO JANUS DEIMOS REV0.pdf

## Eco Janus - DIMM

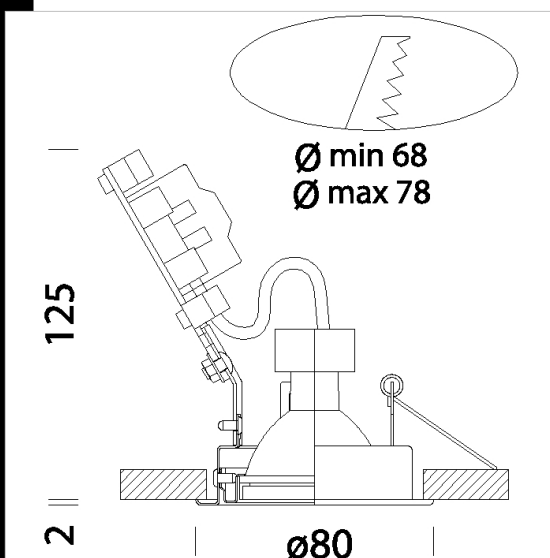
Small-size, adjustable-angle, recessed spotlights, made of steel.  
Housing: Steel, with a steel bracket holding the terminal block. Includes springs for recessed mounting.

Coating: Humidity-resistant acrylic-resin liquid paint, UV-stabilised,. A different galvanic finishing process is used for chromium-plated and polished brass versions.

Regulations: Manufactured in accordance with standards EN60598 – 1 - CEI 34.21. Degree of protection in accordance with standards EN60529.

Power factor: 0.8

Luminous flux maintenance 70% 25000h (L70B50)



Code	Gear	Kg	Lumen Output-K-CRI	WTot	Colour
22063291-00	CLD-DI	0,25	LED SMD-525lm-3000K-38°-CRI 80	6 W	GOLDEN
22063264-00	CLD-DI	0,25	LED SMD-525lm-3000K-38°-CRI 80	6 W	CHROME
22063233-00	CLD-DI	0,25	LED SMD-525lm-3000K-38°-CRI 80	6 W	BLACK
22063212-00	CLD-DI	0,25	LED SMD-525lm-3000K-38°-CRI 80	6 W	WHITE
22063271-00	CLD-DI	0,25	LED SMD-525lm-3000K-38°-CRI 80	6 W	SILVER

The reported luminous flux is the flux emitted by the light source with a tolerance of ± 10% compared to the indicated value. The W tot column indicates the total wattage absorbed by the system without exceeding 10% of the indicated