



## Janus LED Sharp 7W - DIMM Home

Small-size, adjustable-angle, recessed spotlights, made of steel.

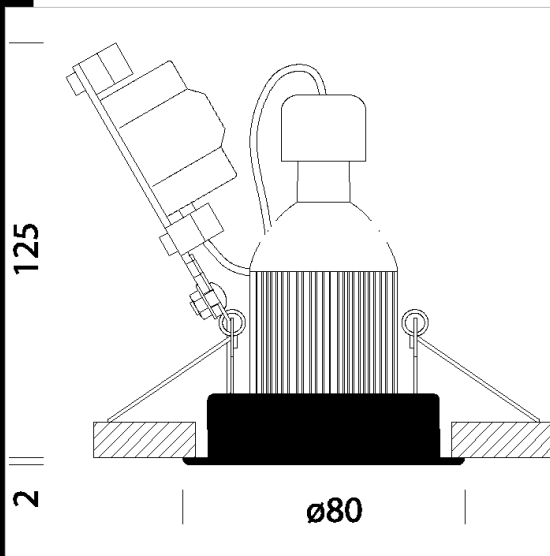
Optionally these fixtures can be installed on shooks (step 100)

Housing: Steel, with a steel bracket holding the terminal block. Includes springs for recessed mounting.

Coating: Humidity-resistant acrylic-resin liquid paint, UV-stabilised,. A different galvanic finishing process is used for chromium-plated and polished brass versions.

Regulations: Manufactured in accordance with standards EN60598 - 1 - CEI 34.21. Degree of protection in accordance with standards EN60529.

LED 7W - 230V - 450lm - 2750k - CRI 80 - 40000h



Code	Gear	Kg	Watt	Base	Lamps	Colour
22063211-00	CLD CELL-D	0,25	LED Sharp 7W	GU10	450lm-2750k-CRI>80	WHITE
22063232-00	CLD CELL-D	0,25	LED Sharp 7W	GU10	450lm-2750k-CRI>80	BLACK
22063263-00	CLD CELL-D	0,25	LED Sharp 7W	GU10	450lm-2750k-CRI>80	CHROME
22063274-00	CLD CELL-D	0,25	LED Sharp 7W	GU10	450lm-2750k-CRI>80	SILVER
22063295-00	CLD CELL-D	0,25	LED Sharp 7W	GU10	450lm-2750k-CRI>80	BRASS

Download

DXF 2D  
- janlow.dxf