



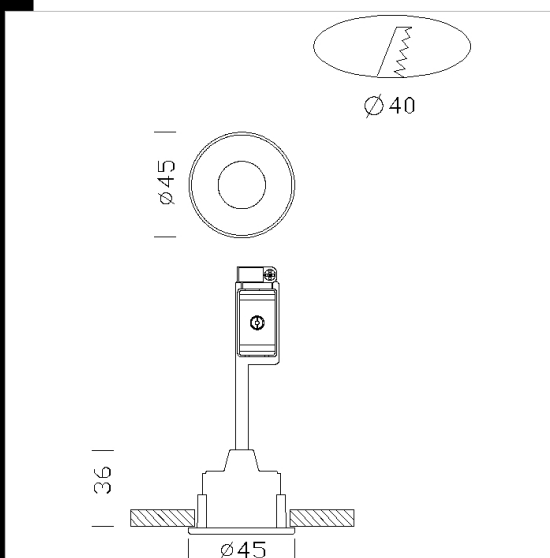
M45 LED white

Housing: Die cast zama (zinc aluminium and magnesium alloy).
 Wiring: Separate 350mA (22090832-00 max 1 spot, 22090837-00 max 5 spot)
 700mA (22090835-00 max 1 spot) dc transformer;
 Equipment: Standard version supplied with band springs for suspended
 ceilings more than 5 mm thick; use flush-finish springs for suspended ceilings
 with a thickness from 1 to 5 mm.
 Standards: Products comply with EN 60598-1-CEI 34.21 standards, with a
 level of protection complying with EN 60529 standards.
 LED 3w - 3000K - 300lm - 24°
 LED 6w - 3000K - 600lm - 24°
 Power factor: 0.8
 Luminous flux maintenance 70% 25000h (L70B50)

Download

DXF 2D
 - 62613.dxf

Montaggi
 - m45.pdf



Code	Gear	Kg	Watt	Base	Lamps	Colour
22062673-00	CLD S+L	0,12	LED white 6W	-	600lm-3000K - 24°-CRI 80	SILVER
22062664-00	CLD S+L	0,12	LED white 3W	-	300lm-3000K - 24°-CRI 80	CHROME
22062665-00	CLD S+L	0,12	LED white 6W	-	600lm-3000K - 24°-CRI 80	CHROME
22062612-00	CLD S+L	0,12	LED white 6W	-	600lm-3000K - 24°-CRI 80	WHITE
22062672-00	CLD S+L	0,12	LED white 3W	-	300lm-3000K - 24°-CRI 80	SILVER
22062613-00	CLD S+L	0,12	LED white 3W	-	300lm-3000K - 24°-CRI 80	WHITE

Accessori



- 700mA LED power supply



- 350mA LED power supply