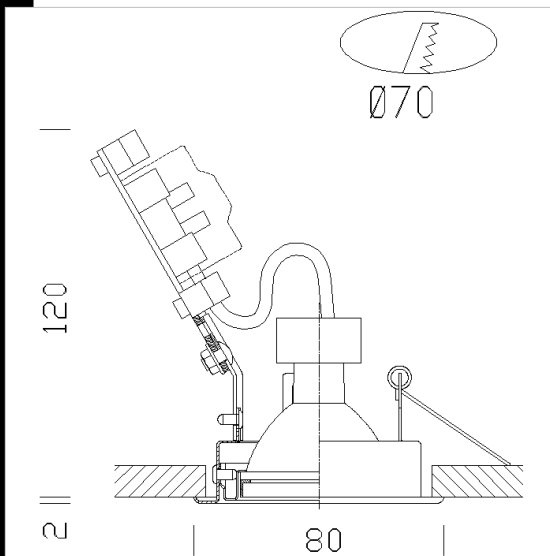


Janus with lamp

Small-size, adjustable-angle, recessed spotlights, made of steel. DICR-IRC lamps help save energy with a 30% increase in luminous efficiency over traditional DICR lamps – in a word: more light, less energy! Optionally these fixtures can be installed on shooks (step 100).
 Housing: Steel, with a steel bracket holding the terminal block. Includes springs for recessed mounting.
 Lampholder: Ceramic with silver-plated contacts, Teflon cables.
 Coating: Humidity-resistant acrylic-resin liquid paint, UV-stabilised, . A different galvanic finishing process is used for chromium-plated and polished brass versions.
 Electric gear: Transformer to be purchased separately.
 Regulations: Manufactured in accordance with standards EN60598 – 1 - CEI 34.21. Degree of protection in accordance with standards EN60529.
 Lamps: Version includes ALO lamps.

Download

DXF 2D
 - jns_alo.dxf
 Montaggi
 - JANUS-DEIMOS-MAC_alo.pdf



Code	Gear	Kg	Lumen-K-CRI	WTot	Base	Colour
22062318-00	S+L	0.18	ALO 50-950cd-2900K-Ra 100	50 W	GU10	BIANCO
22062379-00	S+L	0.18	ALO 50-950cd-2900K-Ra 100	50 W	GU10	ARGENTO
22062397-00	S+L	0.18	ALO 50-950cd-2900K-Ra 100	50 W	GU10	OTTONE
22062368-00	S+L	0.18	ALO 50-950cd-2900K-Ra 100	50 W	GU10	CROMATO
22062338-00	S+L	0.18	ALO 50-950cd-2900K-Ra 100	50 W	GU10	NERO

The reported luminous flux is the flux emitted by the light source with a tolerance of ± 10% compared to the indicated value. The W tot column indicates the total wattage absorbed by the system without exceeding 10% of the indicated