

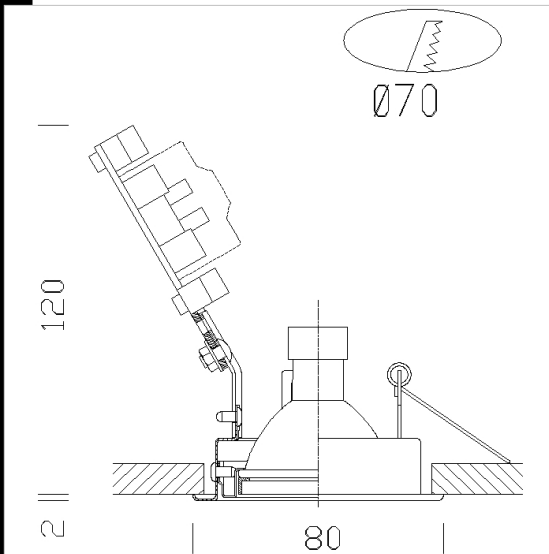
Download

DXF 2D
- jns_dic.dxf
Montaggi
- JANUS-DEIMOS-MAC_alo.pdf



Janus 12 Volt with lamp + glass

Small-size, adjustable-angle, recessed spotlights, made of steel. DICR-IRC lamps help save energy with a 30% increase in luminous efficiency over traditional DICR lamps – in a word: more light, less energy! Optionally these fixtures can be installed on shooks (step 100).
 Housing: Steel, with a steel bracket holding the terminal block. Includes springs for recessed mounting.
 Lampholder: Ceramic with silver-plated contacts, Teflon cables.
 Coating: Humidity-resistant acrylic-resin liquid paint, UV-stabilised, . A different galvanic finishing process is used for chromium-plated and polished brass versions.
 Electric gear: Transformer to be purchased separately.
 Regulations: Manufactured in accordance with standards EN60598 – 1 - CEI 34.21. Degree of protection in accordance with standards EN60529.
 Lamps: Version includes DICR lamps.



Code	Gear	Kg	WTot	Colour
22062178-00	S+L	0.15	50 W	ARGENTO
22062198-00	S+L	0.15	50 W	OTTONE
22062138-00	S+L	0.15	50 W	NERO
22062118-00	S+L	0.15	50 W	BIANCO
22062168-00	S+L	0.15	50 W	CROMATO

The reported luminous flux is the flux emitted by the light source with a tolerance of ± 10% compared to the indicated value. The W tot column indicates the total wattage absorbed by the system without exceeding 10% of the indicated