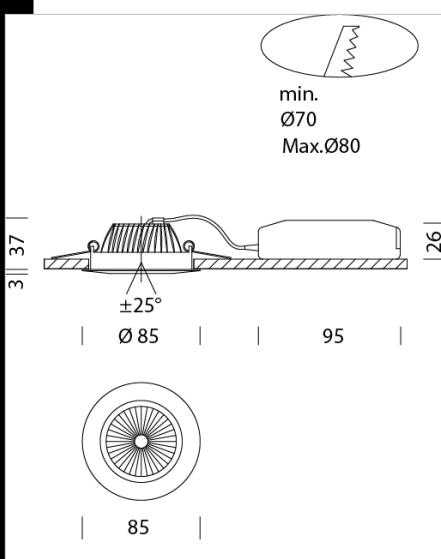


Marte 6

Housing: made of die-cast aluminium. Reflector: high-efficiency metallised polycarbonate. Regulations: Produced according to applicable EN60598 - CEI 34 - 21 standards, degree of protection according to EN 60529 standards
 Power factor: ≥ 0.9
 Luminous flux maintenance 80% 50000h (L80B20)
 recessed $\varnothing 70/80\text{mm}$
 Photobiological safety class: exempt group EN62471.

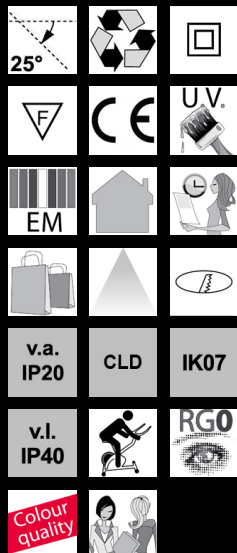


Code	Gear	Kg	Lumen Output-K-CRI	WTot	Colour
22061813-00	CLD	0,19	LED COB-481lm-3000K-30°-CRI 92	5 W	WHITE
22061813-68	CLD	0,19	LED COB-515lm-4000K-30°-CRI 92	5 W	WHITE

Accessori



- EM Kit Q



Download

DXF 2D
 - marte6.dxf
 Montaggi
 - MARTE_4...12 rev7.pdf

The reported luminous flux is the flux emitted by the light source with a tolerance of $\pm 10\%$ compared to the indicated value. The W tot column indicates the total wattage absorbed by the system without exceeding 10% of the indicated