

CLD CELL

IP20

UV

IK04



## Marte 4 LED

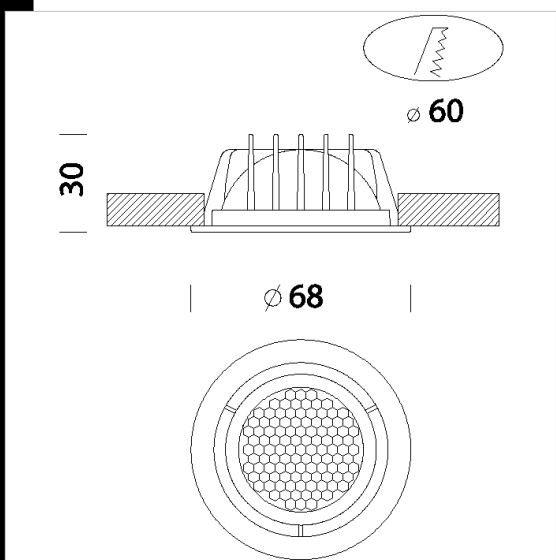
These very small recessed spotlights are ideal whenever the surface's thickness is moderate and the fixture's overall size in the upper part must be minimum. Suitable for interior decoration, furniture, kitchens, shelves.

Housing: die-cast zamak.

Regulations: Manufactured in accordance with standards EN60598 - 1 - CEI 34.21. Degree of protection in accordance with standards EN60529.

LED 120lm - 3000K - 120° - 40000h

Download  
DXF 2D  
- marte2013.dxf



| Code        | Gear    | Kg   | Watt           | Base | Lamps                 | Colour |
|-------------|---------|------|----------------|------|-----------------------|--------|
| 22061807-00 | CLD S+L | 0,06 | LED white 1.8W | -    | 120lm-3000K - 120°-na | BLACK  |
| 22061817-00 | CLD S+L | 0,10 | LED white 1.8W | -    | 120lm-3000K - 120°-na | WHITE  |