

Marte 12

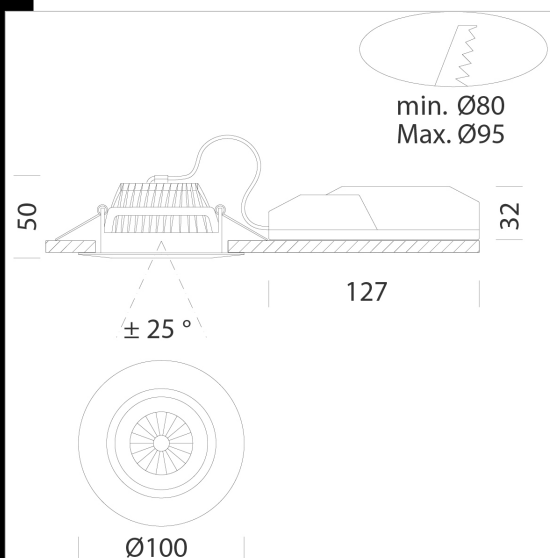
Housing: made of die-cast aluminium. Reflector: high-efficiency metallised polycarbonate. IP65 Silicone rubber protection gasket compliant with French low-energy building standards (BBC). Regulations: Produced according to applicable EN60598 - CEI 34 - 21 standards, degree of protection according to EN 60529 standards

Power factor: ≥ 0.9

Luminous flux maintenance 80% 50000h (L80B20)

recessed $\varnothing 80/95$ mm

Photobiological safety class: exempt group EN62471.



Code	Gear	Kg	Lumen Output-K-CRI	WTot	Colour
22061804-00	CLD	0,28	LED COB-820lm-3000K-40°-CRI 92	9 W	WHITE
22061804-68	CLD	0,28	LED COB-850lm-4000K-40°-CRI 92	9 W	WHITE



Download

DXF 2D
- marte12.dxf

Montaggi
- MARTE_4...12 rev7.pdf

BIM
- Marte 12 - 20200224.zip

The reported luminous flux is the flux emitted by the light source with a tolerance of $\pm 10\%$ compared to the indicated value. The W tot column indicates the total wattage absorbed by the system without exceeding 10% of the indicated