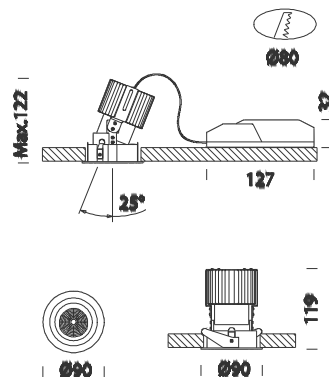


## Atlas 4



Code	Gear	Kg	Colour	Dimensions	W Tot	lamp
22061715-00	CLD CELL	0.40	Glazed	0x0x122 Ø90	12	LED 12W white-530lm-3000K-CRI 80
22061715-12	CLD CELL-D	0.40	Glazed	0x0x122 Ø90	12	LED 12W white-530lm-3000K-CRI 80

The range of products, Atlas has been extended with the addition of new LED versions featuring different power ratings.

"An authentic revolution in the world of lighting", this is how LEDs are often described. LEDs are noteworthy not only for their energy-saving potential, but also for the high quality of the light emitted from fixtures and the improved flexibility of the lighting systems using them.

To enjoy these major benefits, however, lighting fixtures must be designed and manufactured according to the highest standards of quality, combined with the experience that only leading companies have.

Body: Die-cast aluminum with heat sink.

Reflector: satin aluminum high efficiency. Complete with brackets for recessing.

LED 3000K - 530lm - CRI80 - 40000h