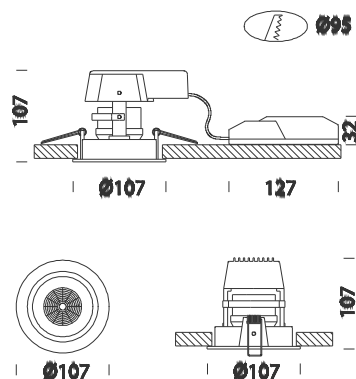


## Atlas 11 - dark



Code	Gear	Kg	Colour	Dimensions	W Tot	lamp
22061615-00	CLD CELL	0.50	white	0x0x107 Ø107	15	LED 15W white-790lm-3000K-CRI 80

This small spotlight belongs to the broad range of Fosnova recessed spotlights designed to be the ideal lighting solution for stores and open spaces. This product encompasses the concept of quality, energy saving and excellent efficiency.

Atlas with LEDs is very versatile and thanks to the wide choice of accessories it can perfectly fit into any space where it is installed.

Housing: coated plated.

Reflector: V2 self-extinguishing polycarbonate, metallized with aluminium powders through a C.V.D. hard-vacuum process.

Regulations: Manufactured in accordance with standards EN60598 - CEI 34 -21. Degree of protection in accordance with standards EN60529.

LED: 3000K - 790lm - CRI80 cut out diam. 98