



Low glare 1 - DIMM

Low Glare represents the evolution of recessed spotlights. The main advantages of this latest generation lighting fixture are energy-saving, great flexibility and superior lighting quality.

With latest generation 7W LEDs you can save up to 80% energy compared to older products, and also have up to 40,000 hours life, guaranteeing excellent light flux maintenance.

The high quality of the Lowglare spotlights is also guaranteed by specific colour temperatures and anti-glare optics.

- Compatible with the most common dimming devices (for example, with halogen lights DIM IGBT)

- Fully assembled and ready to be installed

Housing: made in aluminum adjustable with springs.

Specific optical anti-glare for improved comfort.

Coating: Power-coated with a UV-resistant polyester paint.

Regulations: Manufactured in accordance with EN 60598-1-CEI 34.21 standards. Degree of protection in accordance with EN60529 standards.

Can be installed in a hole at least 64mm mm up to Ø 108mm. Equipped with ring adapter to ensure better sealing.

On request: 60° with subcode -0032 and 25° with subcode 0031

LED 8W - 230V - 800lm - 2750k - CRI 83 - 40000h

LED 8W - 230V - 800lm - 3000k - CRI 83 - 40000h

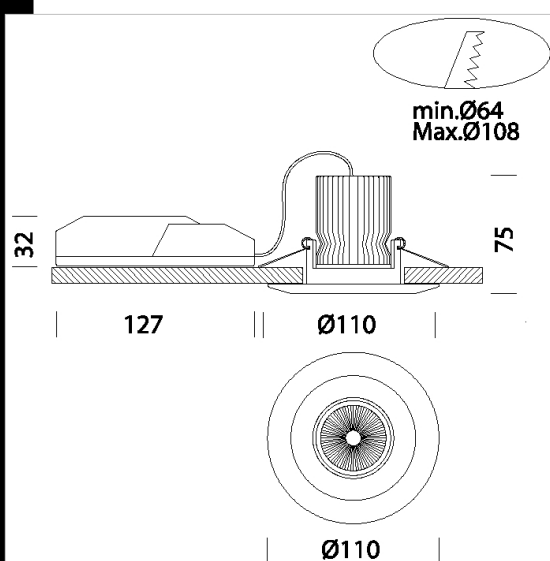
LED 8W - 230V - 800lm - 4000k - CRI 83 - 40000h

Power factor: 0.9

Luminous flux maintenance 70% 40000h (L70B50)

Photobiological safety class: exempt group EN62471.

Lower lamp wattages means greater economy, more than 80% saving recessed Ø 64/108mm



Code	Gear	Kg	Watt	Base	Lamps	Colour
22061474-00	CLD CELL-D	0,35	LED 8W	-	800lm-4000K - 38°-CRI 83	ALUMINIUM
22061475-0031	CLD CELL-D	0,60	LED 8W	-	800lm-2750K - 38°-CRI 83	Aluminium
22061414-00	CLD CELL-D	0,35	LED 8W	-	800lm-4000K - 38°-CRI 83	WHITE
22061475-09	CLD CELL-D-E	0,75	LED 8W	-	800lm-2750K - 38°-CRI 83	ALUMINIUM
22061415-09	CLD CELL-D-E	0,80	LED 8W	-	800lm-2750K - 38°-CRI 83	WHITE
22061475-00	CLD CELL-D	0,35	LED 8W	-	800lm-2750K - 38°-CRI 83	ALUMINIUM
22061415-0031	CLD CELL-D	0,35	LED 8W	-	800lm-2750K - 38°-CRI 83	WHITE
22061470-09	CLD CELL-D-E	0,75	LED 8W	-	800lm-3000K - 38°-CRI 83	ALUMINIUM
22061415-0032	CLD CELL-D	0,35	LED 8W	-	800lm-2750K - 60°-CRI 83	WHITE
22061470-0032	CLD CELL-D	0,35	LED 8W	-	800lm-3000K - 60°-CRI 83	ALUMINIUM
22061475-0032	CLD CELL-D	0,35	LED 8W	-	800lm-2750K - 60°-CRI 83	ALUMINIUM
22061410-0032	CLD CELL-D	0,30	LED 8W	-	800lm-3000K - 60°-CRI 83	WHITE
22061414-0032	CLD CELL-D	0,35	LED 8W	-	800lm-4000K - 60°-CRI 83	WHITE
22061474-0032	CLD CELL-D	0,35	LED 8W	-	800lm-4000K - 60°-CRI 83	ALUMINIUM
22061410-09	CLD CELL-D-E	0,75	LED 8W	-	800lm-3000K - 38°-CRI 83	WHITE
22061415-09	CLD CELL-D	0,35	LED 8W	-	800lm-2750K - 38°-CRI 83	WHITE
22061474-09	CLD CELL-D-E	0,75	LED 8W	-	800lm-4000K - 38°-CRI 83	ALUMINIUM
22061470-0031	CLD CELL-D	0,33	LED 8W	-	800lm-3000K - 25°-CRI 83	ALUMINIUM
22061414-09	CLD CELL-D-E	0,80	LED 8W	-	800lm-4000K - 38°-CRI 83	WHITE
22061410-0031	CLD CELL-D	0,35	LED 8W	-	800lm-3000K - 25°-CRI 83	WHITE
22061474-0031	CLD CELL-D	0,60	LED 8W	-	800lm-4000K - 25°-CRI 83	Aluminium
22061414-0031	CLD CELL-D	0,30	LED 8W	-	800lm-4000K - 25°-CRI 83	WHITE
22061470-00	CLD CELL-D	0,35	LED 8W	-	800lm-3000K - 38°-CRI 83	ALUMINIUM
22061410-00	CLD CELL-D	0,30	LED 8W	-	800lm-3000K - 38°-CRI 83	WHITE

Accessories

