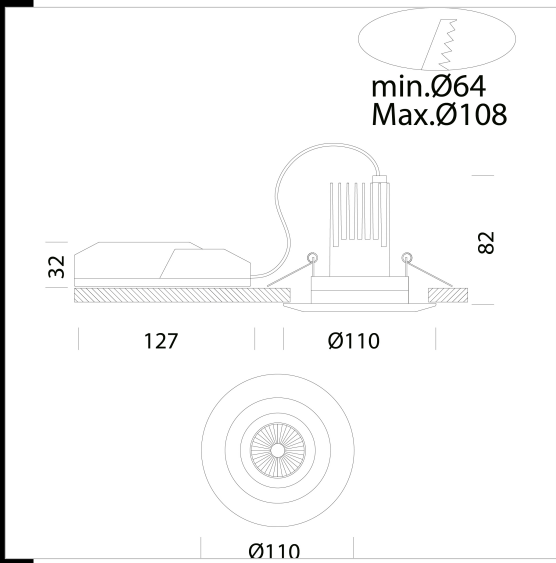


Low glare 1 - DIMM

Housing: made in aluminum adjustable with springs.
 Specific optical anti-glare for improved comfort.
 Coating: Power-coated with a UV-resistant polyester paint.
 Regulations: Manufactured in accordance with EN 60598-1-CEI 34.21 standards. Degree of protection in accordance with EN60529 standards.
 Can be installed in a hole at least 64mm mm up to Ø 108mm. Equipped with ring adapter to ensure better sealing.
 On request: 60° with subcode -0032 and 25° with subcode 0031
 LED COB 9W - 2750K - 900lm - CRI 92 - 38°
 LED COB 9W - 3000K - 900lm - CRI 92 - 38°
 LED COB 9W - 4000K - 1000lm - CRI 92 - 38°
 Power factor: 0.9
 Luminous flux maintenance 70% 50000h(L70B50)
 Photobiological safety class: exempt group EN62471.
 Lower lamp wattages means greater economy, more than 80% saving
 recessed Ø 64/108mm



Download
 DXF 2D
 - low1.dxf
 Montaggi
 - LOW_GLARE_1-2.pdf

Code	Gear	Kg	Watt	Base	Lamps	Colour
22061475-00	CLD CELL-D	0,35	LED COB 9W		900lm-2750K - 38°-CRI 92	ALUMINIUM
22061415-00	CLD CELL-D	0,35	LED COB 9W		900lm-2750K - 38°-CRI 92	WHITE
22061470-00	CLD CELL-D	0,35	LED COB 9W		900lm-3000K - 38°-CRI 92	ALUMINIUM
22061410-00	CLD CELL-D	0,30	LED COB 9W		900lm-3000K - 38°-CRI 92	WHITE
22061474-00	CLD CELL-D	0,35	LED COB 9W		1000lm-4000K - 38°-CRI 92	ALUMINIUM
22061414-00	CLD CELL-D	0,35	LED COB 9W		1000lm-4000K - 38°-CRI 92	WHITE
22061475-09	CLD CELL-D-E	0,75	LED COB 9W		900lm-2750K - 38°-CRI 92	ALUMINIUM
22061415-09	CLD CELL-D-E	0,80	LED COB 9W		900lm-2750K - 38°-CRI 92	WHITE
22061470-09	CLD CELL-D-E	0,75	LED COB 9W		900lm-3000K - 38°-CRI 92	ALUMINIUM
22061410-09	CLD CELL-D-E	0,75	LED COB 9W		900lm-3000K - 38°-CRI 92	WHITE
22061474-09	CLD CELL-D-E	0,75	LED COB 9W		1000lm-4000K - 38°-CRI 92	ALUMINIUM
22061414-09	CLD CELL-D-E	0,80	LED COB 9W		1000lm-4000K - 38°-CRI 92	WHITE
22061415-0031	CLD CELL-D	0,35	LED 7W		800lm-2750K - 38°-CRI>90	WHITE
22061470-0031	CLD CELL-D	0,33	LED 7W		800lm-3000K - 25°-CRI>90	ALUMINIUM
22061475-0031	CLD CELL-D	0,60	LED 7W		800lm-2750K - 38°-CRI>90	
22061414-0031	CLD CELL-D	0,30	LED 7W		800lm-4000K - 25°-CRI>90	WHITE
22061415-0032	CLD CELL-D	0,35	LED 7W		800lm-2750K - 60°-CRI>90	WHITE
22061410-0031	CLD CELL-D	0,35	LED 7W		800lm-3000K - 25°-CRI>90	WHITE
22061474-0031	CLD CELL-D	0,60	LED 7W		800lm-4000K - 25°-CRI>90	
22061470-0032	CLD CELL-D	0,35	LED 7W		800lm-3000K - 60°-CRI>90	ALUMINIUM
22061474-0032	CLD CELL-D	0,35	LED 7W		800lm-4000K - 60°-CRI>90	ALUMINIUM
22061410-0032	CLD CELL-D	0,30	LED 7W		800lm-3000K - 60°-CRI>90	WHITE
22061414-0032	CLD CELL-D	0,35	LED 7W		800lm-4000K - 60°-CRI>90	WHITE

Accessori

