

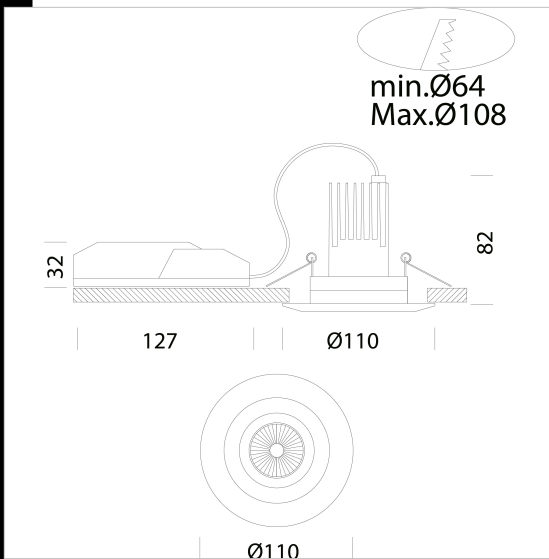
Download

DXF 2D
- low1.dxf

Montaggi
- LOWGLARE FENIX -ISPOT1-2-3
rev0.pdf

Low glare 1

Housing: made in aluminum adjustable with springs.
Specific optical anti-glare for improved comfort.
Coating: Power-coated with a UV-resistant polyester paint.
Regulations: Manufactured in accordance with EN 60598-1-CEI 34.21 standards. Degree of protection in accordance with EN60529 standards.
Can be installed in a hole at least 64mm mm up to Ø 108mm. Equipped with ring adapter to ensure better sealing.
On request: 60° with subcode -0032 and 25° with subcode 0031
Power factor: 0.9
Luminous flux maintenance 80%: 50000h (L80B20).
Photobiological safety class: exempt group EN62471.
Lower lamp wattages means greater economy, more than 80% saving recessed Ø 64/108mm



Code	Gear	Kg	Lumen Output-K-CRI	WTot	Colour
22061475-00	CLD-D	0,35	LED COB-800lm-2750K-38°-CRI 83	11 W	ALUMINIUM
22061470-00	CLD	0,35	LED COB-990lm-3000K-38°-CRI 92	10 W	ALUMINIUM
22061410-00	CLD	0,30	LED COB-990lm-3000K-38°-CRI 92	10 W	WHITE
22061474-00	CLD	0,35	LED COB-1100lm-4000K-38°-CRI 92	10 W	ALUMINIUM
22061414-00	CLD	0,35	LED COB-1100lm-4000K-38°-CRI 92	10 W	WHITE

Accessori



- EM Kit Q



- Protective grig

The reported luminous flux is the flux emitted by the light source with a tolerance of $\pm 10\%$ compared to the indicated value. The W tot column indicates the total wattage absorbed by the system without exceeding 10% of the indicated