

Download

DXF 2D
- ecomac.dxf

Montaggi
- ECO_MAC rev0.pdf



Eco Mac

A line of recessed spotlight made from die-cast zamak. With internal housing allowing installers to choose to mount the fixture flush with the ceiling or protruding, for greater control of the beam's direction (0° - 10°). Optionally these fixtures can be installed on shooks (step 100)

Housing: Die-cast zamak, with a steel bracket holding the terminal block. Includes springs for recessed mounting.

Lampholder: Ceramic with silver-plated contacts.

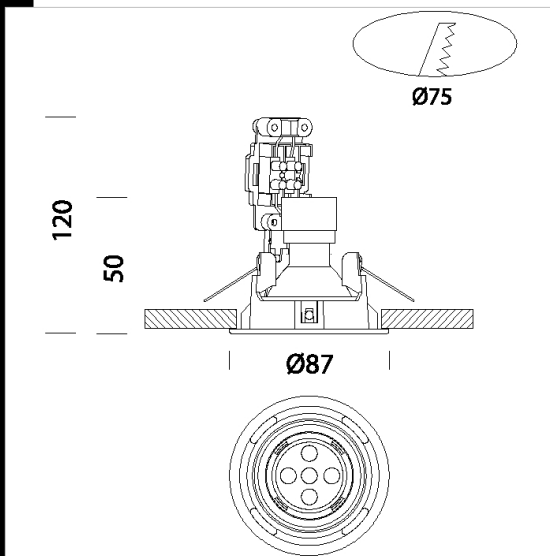
Coating: Humidity-resistant acrylic-resin liquid paint, UV-stabilised,. A different galvanic finishing process is used for chromium-plated and polished brass versions.

Regulations: Manufactured in accordance with EN 60598-1-CEI 34.21 standards. Degree of protection in accordance with EN60529 standards.

Power factor: 0.8

Luminous flux maintenance 70% 25000h (L70B50)

Photobiological safety class: exempt group EN62471.



Code	Gear	Kg	Lumen Output-K-CRI	WTot	Colour
22061014-00	CLD CELL	0,30	LED SMD-500lm-3000K-38°-CRI 80	6 W	WHITE
22061034-00	CLD CELL	0,26	LED SMD-500lm-3000K-38°-CRI 80	6 W	BLACK
22061074-00	CLD CELL	0,30	LED SMD-500lm-3000K-38°-CRI 80	6 W	SILVER
22061084-00	CLD CELL	0,30	LED SMD-500lm-3000K-38°-CRI 80	6 W	GOLDEN
22061064-00	CLD CELL	0,30	LED SMD-500lm-3000K-38°-CRI 80	6 W	CHROME

The reported luminous flux is the flux emitted by the light source with a tolerance of $\pm 10\%$ compared to the indicated value. The W tot column indicates the total wattage absorbed by the system without exceeding 10% of the indicated