

Cristal 4 - MASTERLED 12V - matt

A line of small-size recessed spotlights, in different colours to produce unique light effects. Made of coloured glass.

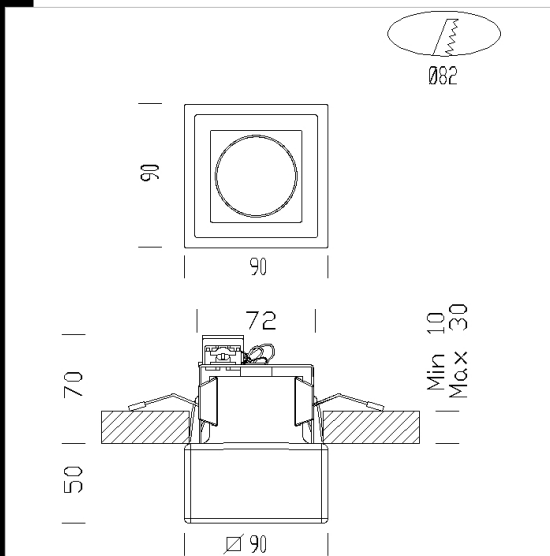
Housing: Coloured glass with a steel structure holding the terminal block and the brackets for recessed mounting.

Regulations: Manufactured in accordance with standards EN60598 - CEI 34 -21. Degree of protection in accordance with standards EN60529.

MASTERLED: particularly suited for public spaces such as reception halls, entrance lobbies, corridors, stairways and bathrooms where lights stay on all day, 40,000 hours of lifespan, and 80% energy saving compared to ALO 35W. LED: 7W - 1450cd - 2700K - CRI80

Download

DXF 2D
- cristal4.dxf



Code	Gear	Kg	Watt	Base	Lamps	Colour
22060829-00	CLD S+L	0,55	MASTERLED 7W	GU5.3	1450cd-2700K - 25°-CRI 80	PINK
22060811-00	CLD S+L	0,55	MASTERLED 7W	GU5.3	1450cd-2700K - 25°-CRI 80	WHITE
22060833-00	CLD S+L	0,55	MASTERLED 7W	GU5.3	1450cd-2700K - 25°-CRI 80	AQUAMARINE
22060885-00	CLD S+L	0,55	MASTERLED 7W	GU5.3	1450cd-2700K - 25°-CRI 80	BLUE
22060847-00	CLD S+L	0,55	MASTERLED 7W	GU5.3	1450cd-2700K - 25°-CRI 80	GREEN
22060895-00	CLD S+L	0,55	MASTERLED 7W	GU5.3	1450cd-2700K - 25°-CRI 80	AMBER
22060859-00	CLD S+L	0,55	MASTERLED 7W	GU5.3	1450cd-2700K - 25°-CRI 80	YELLOW