


**Download**

 DXF 2D  
 - cris3.dxf

**Cristal 3 - LED**

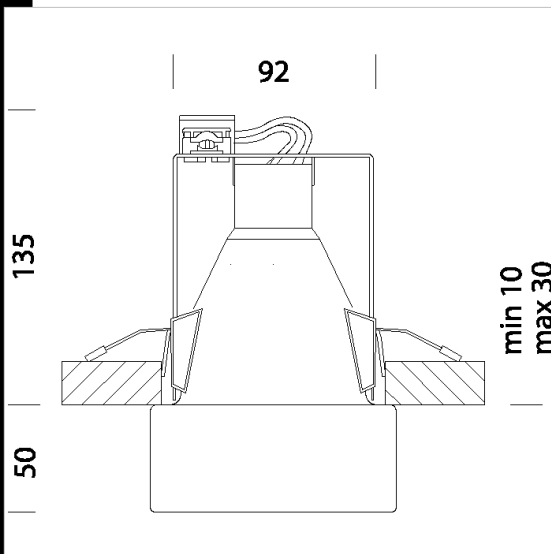
A line of small-size recessed spotlights, in different colours to produce unique light effects. Made of coloured glass.

Housing: Coloured glass with a steel structure holding the terminal block and the brackets for recessed mounting.

Lampholder: Ceramic with silver-plated contacts.

Regulations: Manufactured in accordance with standards EN60598 - CEI 34 -21. Degree of protection in accordance with standards EN60529.

LED PAR20 - 500lm - 3000K - 38°



Code	Gear	Kg	Watt	Base	Lamps	Colour
22060710-00	CLD CELL-D	0,85	LED PAR20 8W	E27	500lm-2750K - 38°-na	WHITE