



## Cristal 2 - LED

A line of small-size recessed spotlights, in different colours to produce unique light effects. Made of coloured glass.

Housing: Coloured glass with a steel structure holding the terminal block and the brackets for recessed mounting.

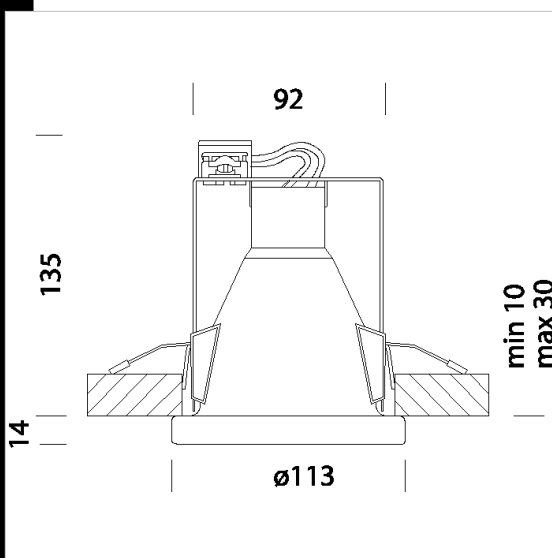
Lampholder: Ceramic with silver-plated contacts.

Regulations: Manufactured in accordance with standards EN60598 – CEI 34 –21. Degree of protection in accordance with standards EN60529.

LED bulb - 806lm - 2700K - 10W

Download

DXF 2D  
- cris2.dxf



Code	Gear	Kg	Watt	Base	Lamps	Colour
22060622-00	CLD CELL-D	0,65	LED Bulb 10W	-	806lm-2700K-	PINK
22060689-00	CLD CELL-D	0,65	LED Bulb 10W	-	806lm-2700K-	BLUE
22060696-00	CLD CELL-D	0,65	LED Bulb 10W	-	806lm-2700K-	AMBER
22060610-00	CLD CELL-D	0,65	LED Bulb 10W	-	806lm-2700K-	WHITE
22060645-00	CLD CELL-D	0,65	LED Bulb 10W	-	806lm-2700K-	GREEN
22060655-00	CLD CELL-D	0,65	LED Bulb 10W	-	806lm-2700K-	YELLOW