



Download

DXF 2D
- 60412.dxf

Montaggi
- CUBIC 07-07.pdf



Suspension Cubic

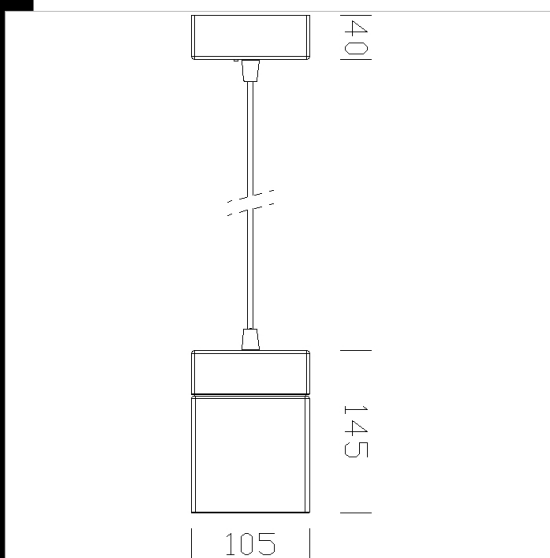
Housing: die-cast aluminium, powder painted using acrylic resin based paint resistant to UV rays, previously subjected to chromium-plating. Wall-mounted versions with diffuser positionable at 350°.

Diffuser: shockproof, pressed crystal glass. Coloured versions with sand blasted and liquid painted crystal using paints that withstand high temperatures.

Equipment: fitting supplied without lamps.

Wiring: using Teflon wires resistant to high temperatures; network connecting terminals with maximum permitted cross-section of the conductors of 2.5 mm².

Standards: products compliant with applicable CEI 34-21, CEI EN 60598-1, CEI EN 60598-2-1 standards.



Code	Gear	Kg	Lumen-K-CRI	WTot	Base	Colour
22060467-00	S	2.00	ALO max 60---	0 W	G9	LIGHT BLUE
22060496-00	S	2.00	ALO max 60---	0 W	G9	AMBER
22060484-00	S	2.00	INC max 60---	0 W	E14	BLUE
22060456-00	S	2.00	INC max 60---	0 W	E14	YELLOW
22060473-00	CLD S	2.20	INC max 60---	0 W	E14	GREY
22060476-00	S	2.20	ALO max 60---	0 W	GU10	SILVER
22060429-00	S	2.00	ALO max 60---	0 W	G9	PINK
22060435-00	S	2.00	ALO max 60---	0 W	G9	AQUAMARINE
22060413-00	S	2.20	ALO max 60---	0 W	G9	WHITE
22060428-00	S	2.00	INC max 60---	0 W	E14	PINK
22060434-00	S	2.00	INC max 60---	0 W	E14	AQUAMARINE
22060447-00	S	2.00	ALO max 60---	0 W	G9	GREEN
22060457-00	S	2.00	ALO max 60---	0 W	G9	YELLOW
22060412-00	CLD S	2.20	INC max 60---	0 W	E14	WHITE
22060485-00	S	2.00	ALO max 60---	0 W	G9	BLUE
22060446-00	S	2.00	INC max 60---	0 W	E14	GREEN
22060466-00	S	2.00	INC max 60---	0 W	E14	LIGHT BLUE
22060495-00	S	2.00	INC max 60---	0 W	E14	AMBER

The reported luminous flux is the flux emitted by the light source with a tolerance of $\pm 10\%$ compared to the indicated value. The W tot column indicates the total wattage absorbed by the system without exceeding 10% of the indicated