

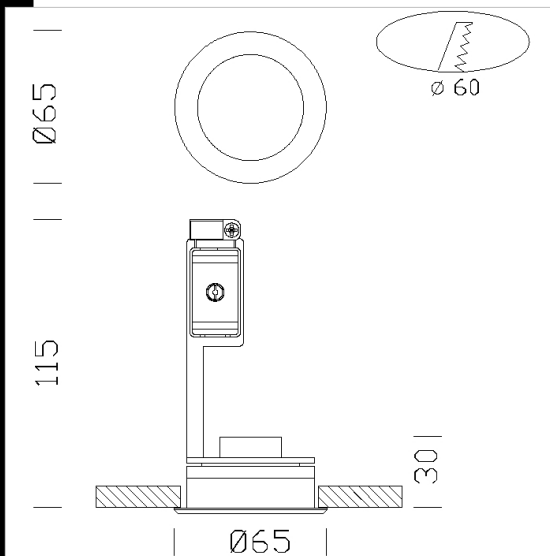
Lift 1 LED

These very small recessed spotlights are ideal whenever the surface's thickness is moderate and the fixture's overall size in the upper part must be minimum. Suitable for interior decoration, furniture, kitchens, shelves.

Housing: Sheet steel or die-cast zamak.

Regulations: Manufactured in accordance with standards EN60598 - 1 - CEI 34.21. Degree of protection in accordance with standards EN60529.

LED 3x1.1W - 300lm - 4000K



Code	Gear	Kg	Watt	Base	Lamps	Colour
22060072-00	CLD S+L	0,10	LED 3x1.1W	-	300lm-4000K-na	SILVER
22060031-00	CLD S+L	0,10	LED 3x1.1W	-	300lm-4000K-na	BLACK



Download

DXF 2D
- lift1.dxf