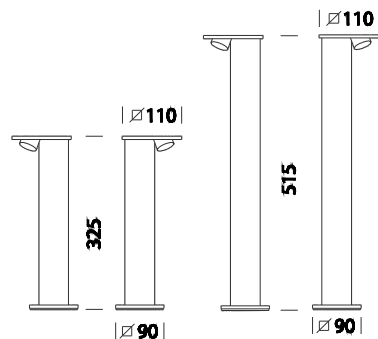


Eolo



| Code | Gear | Kg | Colour | Dimensions | lamp |
|-------------|----------|------|------------|-------------|---------------------------------|
| 22053070-00 | CLD CELL | 0.80 | anthracite | 110x110x325 | LED white 4W-310lm-3000K-CRI 80 |
| 22053071-00 | CLD CELL | 1.00 | anthracite | 110x110x515 | LED white 4W-310lm-3000K-CRI 80 |

Lights distributed along transit corridors transform and enhance homes. These small columns illuminate walkways making them more inviting.
Housing: in die-cast aluminium

Coating: acrylic resin, UV-stabilised and high resistance to humidity