

King LED 111

King is wall mounted floodlight designed to provide a solution to the lighting of environments requiring a high degree of protection.

Housing: Adjustable-angle, made of die-cast aluminium.

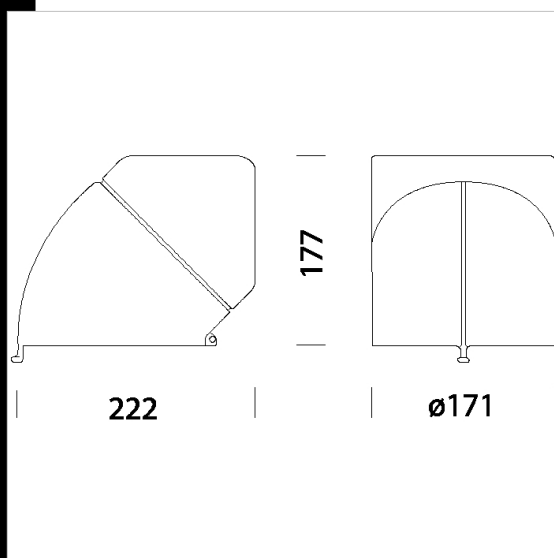
Coating: Humidity-resistant acrylic-resin liquid paint, UV-stabilised.

Regulations: Manufactured in accordance with standards EN60598 – CEI 34 –21. Degree of protection in accordance with standards EN60529.

Download

DXF 2D
- kingparete.dxf

Montaggi
- KING_LED rev3.pdf



Code	Gear	Kg	Lumen Output-K-CRI	WTot	Colour
22049417-00	CLD CELL	2,75	LED 111-3534lm-3000K-40°-CRI 83	31 W	ARGENTO
22049417-68	CLD CELL	2,74	LED 111-3800lm-4000K-40°-CRI 83	31 W	ARGENTO

The reported luminous flux is the flux emitted by the light source with a tolerance of $\pm 10\%$ compared to the indicated value. The W tot column indicates the total wattage absorbed by the system without exceeding 10% of the indicated