

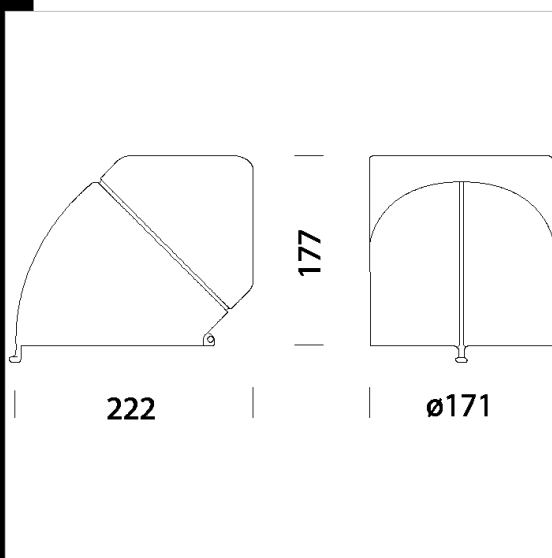
King LED 111

King is wall mounted floodlight designed to provide a solution to the lighting of environments requiring a high degree of protection.
 Housing: Adjustable-angle, made of die-cast aluminium.
 Coating: Humidity-resistant acrylic-resin liquid paint, UV-stabilised.
 Regulations: Manufactured in accordance with standards EN60598 – CEI 34 –21. Degree of protection in accordance with standards EN60529.

Download

DXF 2D
 - kingparete.dxf

Montaggi
 - KING_LED rev3.pdf



Code	Gear	Kg	Lumen Output-K-CRI	WTot	Colour
22049417-00	CLD	2,75	LED 111-3534lm-3000K-40°-CRI 83	31 W	SILVER

The reported luminous flux is the flux emitted by the light source with a tolerance of ± 10% compared to the indicated value. The W tot column indicates the total wattage absorbed by the system without exceeding 10% of the indicated