

Fashion L3 with lens

Colour is a key factor in enticing consumers to buy. Therefore the lighting of points of sale must improve the viewing of the wares on display. This result can be obtained only with wide-beam light sources capable of ensuring a correct viewing of colours.

Fashion is created to satisfy the lighting needs of showrooms and every other space requiring accent lighting.

Housing: in die-cast aluminium.

Version with lens: in PMMA with high efficiency output and very low glare rate

Coating: power-coated with a UV-resistant polyester epoxy paint.

Regulations: Manufactured in accordance with EN 60598-1-CEI 34.21 standards. Degrees of protection in accordance with EN60529 standards.

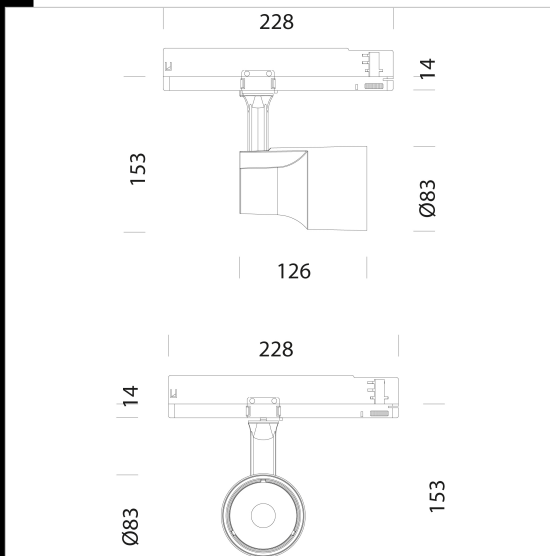
high-efficiency light sources (CRI 95).

Luminous flux maintenance L80B20: 50.000h. Power factor >0.9

Photobiological safety class: Exempt group

The high-performance Vivid LED series was designed with a new technology that ensures uniform colour saturation.

This is why these lamps are particularly suited in settings where reflections, transparencies, good colour and white quality are very important.



Download

DXF 2D
- fashionl3.dxf

Montaggi
- FASHION rev2.pdf

Code	Gear	Kg	Lumen Output-K-CRI	WTot	Colour
22044810-00	CLD CELL	0,71	LED COB-2306lm-3000K-13°-CRI 95	28 W	WHITE
22044811-00	CLD CELL	0,70	LED COB-2563lm-4000K-13°-CRI 95	28 W	WHITE
22044812-00	CLD CELL	0,70	LED COB-2253lm-3000K-24°-CRI 95	28 W	WHITE
22044813-00	CLD CELL	0,70	LED COB-2504lm-4000K-24°-CRI 95	28 W	WHITE
22044830-00	CLD CELL	0,71	LED COB-2306lm-3000K-13°-CRI 95	28 W	BLACK
22044831-00	CLD CELL	0,71	LED COB-2563lm-4000K-13°-CRI 95	28 W	BLACK
22044832-00	CLD CELL	0,70	LED COB-2253lm-3000K-24°-CRI 95	28 W	BLACK
22044833-00	CLD CELL	0,70	LED COB-2504lm-4000K-24°-CRI 95	28 W	BLACK
22044810-1241	CLD CELL-D-D	0,71	LED COB-2306lm-3000K-13°-CRI>95	30 W	WHITE
22044811-1241	CLD CELL-D-D	0,71	LED COB-2563lm-4000K-13°-CRI>95	30 W	WHITE
22044812-1241	CLD CELL-D-D	0,71	LED COB-2253lm-3000K-24°-CRI>95	30 W	WHITE
22044813-1241	CLD CELL-D-D	0,70	LED COB-2504lm-4000K-24°-CRI>95	30 W	WHITE
22044830-1241	CLD CELL-D-D	0,71	LED COB-2306lm-3000K-13°-CRI>95	30 W	BLACK
22044831-1241	CLD CELL-D-D	0,71	LED COB-2563lm-4000K-13°-CRI>95	30 W	BLACK
22044832-1241	CLD CELL-D-D	0,71	LED COB-2253lm-3000K-24°-CRI>95	30 W	BLACK
22044833-1241	CLD CELL-D-D	0,70	LED COB-2504lm-4000K-24°-CRI>95	30 W	BLACK

The reported luminous flux is the flux emitted by the light source with a tolerance of ± 10% compared to the indicated value. The W tot column indicates the total wattage absorbed by the system without exceeding 10% of the indicated