



Download

DXF 2D
- assocsmall.dxf

Montaggi
- ASSO_C rev1.pdf



Asso C - Small recessed

The lighting of indoor spaces must pace the attention on visual wellbeing, aesthetic quality and energy savings. The new LED sources allow high lighting levels and excellent colour rendering.

This is why Fosnova extended its range of top-sellers such as Asso, by adding versions with different sizes and adapters in order to adjust to different cable tracks, including versions with adjustable recessed spotlights, all fitting high-performance LEDs, a new technology that handles colour saturation in a more natural and homogenous manner. The brand new Asso spotlights prove to be perfect for all those spaces where reflexes, transparencies and the quality of whites and colours play a key role.

The range is complete and includes fixtures capable of fulfilling any interior lighting need. In a single body, you can use different optics and LEDs with different power outputs, keeping aesthetic continuity, despite differencing the amount of light: all these requirements make the fixture an excellent choice for retailing, architectural and museum lighting applications.

Housing: Die-cast aluminium with cooling holes.

Reflector: in die-cast polished aluminium, high efficiency and anti-glare.

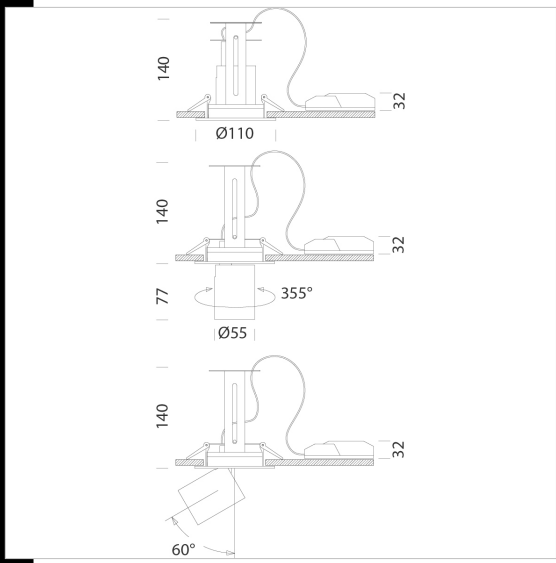
Coating: Power-coated with a UV-resistant polyester paint.

Regulations: Manufactured in accordance with EN 60598-1-CEI 34.21 standards. Degree of protection in accordance with EN60529 standards.

Luminous flux maintenance L80B20: 50.000h.

Power factor >0.9

Photobiological safety class: Exempt group



Code	Gear	Kg	Lumen Output-K-CRI	WTot	Colour
22043510-00	CLD	0.64	LED COB-1455lm-3000K-18°-CRI>80	13 W	WHITE
22043510-1241	CLD-D-D	0.65	LED COB-1455lm-3000K-18°-CRI>80	13 W	WHITE
22043510-68	CLD	0.64	LED COB-1556lm-4000K-18°-CRI>80	13 W	WHITE
22043510-6841	CLD-D-D	0.64	LED COB-1556lm-4000K-18°-CRI>80	13 W	WHITE
22043530-00	CLD	0.65	LED COB-1455lm-3000K-18°-CRI>80	13 W	BLACK
22043530-1241	CLD-D-D	0.99	LED COB-1455lm-3000K-18°-CRI>80	13 W	BLACK
22043530-68	CLD	0.70	LED COB-1556lm-4000K-18°-CRI>80	13 W	BLACK
22043530-6841	CLD-D-D	0.65	LED COB-1556lm-4000K-18°-CRI>80	13 W	BLACK
22043512-00	CLD	0.65	LED COB-1469lm-3000K-26°-CRI>80	13 W	WHITE
22043512-1241	CLD-D-D	0.65	LED COB-1469lm-3000K-26°-CRI>80	13 W	WHITE
22043512-68	CLD	0.64	LED COB-1571lm-4000K-26°-CRI>80	13 W	WHITE
22043512-6841	CLD-D-D	0.65	LED COB-1571lm-4000K-26°-CRI>80	13 W	WHITE
22043532-00	CLD	0.66	LED COB-1469lm-3000K-26°-CRI>80	13 W	BLACK
22043532-1241	CLD-D-D	0.99	LED COB-1469lm-3000K-26°-CRI>80	13 W	BLACK
22043532-68	CLD	0.99	LED COB-1571lm-4000K-26°-CRI>80	13 W	BLACK
22043532-6841	CLD-D-D	0.99	LED COB-1571lm-4000K-26°-CRI>80	13 W	BLACK
22043514-00	CLD	0.65	LED COB-1401lm-3000K-38°-CRI>80	13 W	WHITE
22043514-1241	CLD-D-D	0.65	LED COB-1401lm-3000K-38°-CRI>80	13 W	WHITE
22043514-68	CLD	0.64	LED COB-1499lm-4000K-38°-CRI>80	13 W	WHITE
22043514-6841	CLD-D-D	0.65	LED COB-1499lm-4000K-38°-CRI>80	13 W	WHITE
22043534-00	CLD	0.65	LED COB-1401lm-3000K-38°-CRI>80	13 W	BLACK
22043534-1241	CLD-D-D	0.99	LED COB-1401lm-3000K-38°-CRI>80	13 W	BLACK
22043534-68	CLD	0.65	LED COB-1499lm-4000K-38°-CRI>80	13 W	BLACK
22043534-6841	CLD-D-D	0.99	LED COB-1499lm-4000K-38°-CRI>80	13 W	BLACK
22043516-00	CLD	0.65	LED COB-1413lm-3000K-63°-CRI>80	13 W	WHITE
22043516-1241	CLD-D-D	0.64	LED COB-1413lm-3000K-63°-CRI>80	13 W	WHITE
22043516-68	CLD	0.64	LED COB-1512lm-4000K-63°-CRI>80	13 W	WHITE
22043516-6841	CLD-D-D	0.65	LED COB-1512lm-4000K-63°-CRI>80	13 W	WHITE
22043536-00	CLD	0.65	LED COB-1413lm-3000K-63°-CRI>80	13 W	BLACK
22043536-1241	CLD-D-D	0.65	LED COB-1413lm-3000K-63°-CRI>80	13 W	BLACK
22043536-68	CLD	0.65	LED COB-1512lm-4000K-63°-CRI>80	13 W	BLACK
22043536-6841	CLD-D-D	0.99	LED COB-1512lm-4000K-63°-CRI>80	13 W	BLACK

The reported luminous flux is the flux emitted by the light source with a tolerance of ± 10% compared to the indicated value. The W tot column indicates the total wattage absorbed by the system without exceeding 10% of the indicated