



## Asso B - Medium

The lighting of indoor spaces must pace the attention on visual wellbeing, aesthetic quality and energy savings. The new LED sources allow high lighting levels and excellent colour rendering.

This is why Fosnova extended its range of top-sellers such as Asso, by adding versions with different sizes and adapters in order to adjust to different cable tracks, including versions with adjustable recessed spotlights, all fitting high-performance LEDs, a new technology that handles colour saturation in a more natural and homogenous manner. The brand new Asso spotlights prove to be perfect for all those spaces where reflexes, transparencies and the quality of whites and colours play a key role.

The range is complete and includes fixtures capable of fulfilling any interior lighting need. In a single body, you can use different optics and LEDs with different power outputs, keeping aesthetic continuity, despite differencing the amount of light: all these requirements make the fixture an excellent choice for retailing, architectural and museum lighting applications

Housing: Die-cast aluminium with cooling holes.

Reflector: in die-cast polished aluminium, high efficiency and anti-glare.

Coating: Power-coated with a UV-resistant polyester paint.

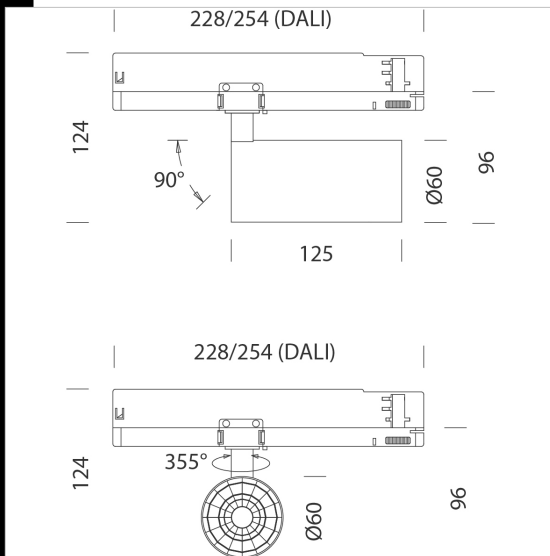
Regulations: Manufactured in accordance with EN 60598-1-CEI 34.21 standards. Degree of protection in accordance with EN60529 standards.

Luminous flux maintenance L80B20: 50.000h.

Power factor >0.9

Photobiological safety class: Exempt group

DALI dimmable version -1241 and -6841 to be used with OMNITRACK PLUS track-mounted system.



### Download

DXF 2D  
- abmedium.dxf

Montaggi  
- ASSO A-B REV3.pdf

BIM  
- Asso B - Medium - 20201005.zip

Code	Gear	Kg	Lumen Output-K-CRI	WTot	Colour
22043310-00	CLD	0,57	LED COB-2371lm-3000K-27°-CRI>80	21 W	WHITE
22043310-1241	CLD-D-D	0,57	LED COB-2371lm-3000K-27°-CRI>80	21 W	WHITE
22043310-68	CLD	0,57	LED COB-2537lm-4000K-27°-CRI>80	21 W	WHITE
22043310-6841	CLD-D-D	0,57	LED COB-2537lm-4000K-27°-CRI>80	21 W	WHITE
22043330-00	CLD	0,57	LED COB-2371lm-3000K-27°-CRI>80	21 W	BLACK
22043330-1241	CLD-D-D	0,57	LED COB-2371lm-3000K-27°-CRI>80	21 W	BLACK
22043330-68	CLD	0,60	LED COB-2537lm-4000K-27°-CRI>80	21 W	BLACK
22043330-6841	CLD-D-D	0,60	LED COB-2537lm-4000K-27°-CRI>80	21 W	BLACK
22043312-00	CLD	0,59	LED COB-2390lm-3000K-32°-CRI>80	21 W	WHITE
22043312-1241	CLD-D-D	0,59	LED COB-2390lm-3000K-32°-CRI>80	21 W	WHITE
22043312-68	CLD	0,59	LED COB-2557lm-4000K-32°-CRI>80	21 W	WHITE
22043312-6841	CLD-D-D	0,70	LED COB-2557lm-4000K-32°-CRI>80	21 W	WHITE
22043332-00	CLD	0,58	LED COB-2390lm-3000K-32°-CRI>80	21 W	BLACK
22043332-1241	CLD-D-D	0,62	LED COB-2390lm-3000K-32°-CRI>80	21 W	BLACK
22043332-68	CLD	0,59	LED COB-2557lm-4000K-32°-CRI>80	21 W	BLACK
22043332-6841	CLD-D-D	0,58	LED COB-2557lm-4000K-32°-CRI>80	21 W	BLACK
22043314-00	CLD	0,57	LED COB-2441lm-3000K-50°-CRI>80	21 W	WHITE
22043314-1241	CLD-D-D	0,62	LED COB-2441lm-3000K-50°-CRI>80	21 W	WHITE
22043314-68	CLD	0,57	LED COB-2611lm-4000K-50°-CRI>80	21 W	WHITE
22043314-6841	CLD-D-D	0,61	LED COB-2611lm-4000K-50°-CRI>80	21 W	WHITE
22043334-00	CLD	0,57	LED COB-2441lm-3000K-50°-CRI>80	21 W	BLACK
22043334-1241	CLD-D-D	0,61	LED COB-2441lm-3000K-50°-CRI>80	21 W	BLACK
22043334-68	CLD	0,60	LED COB-2611lm-4000K-50°-CRI>80	21 W	BLACK
22043334-6841	CLD-D-D	0,70	LED COB-2611lm-4000K-50°-CRI>80	21 W	BLACK

The reported luminous flux is the flux emitted by the light source with a tolerance of ± 10% compared to the indicated value. The W tot column indicates the total wattage absorbed by the system without exceeding 10% of the indicated