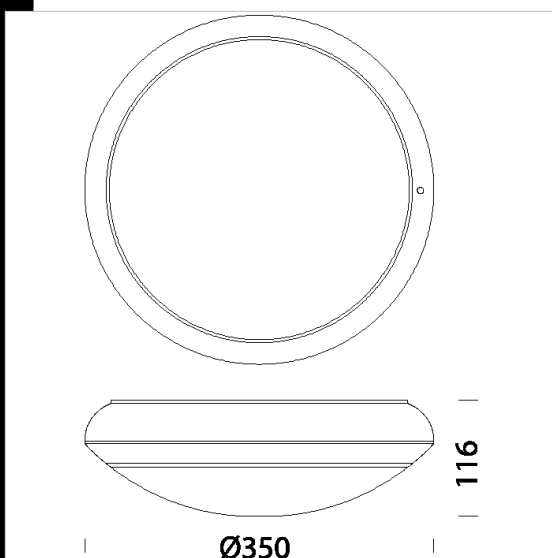
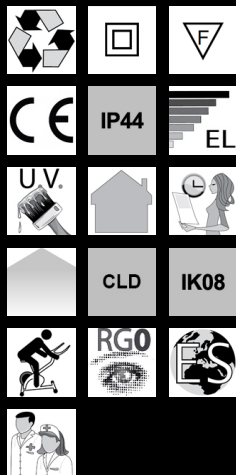


Elba - presence/light sensor

Housing: vandal-resistant, self-extinguishing polycarbonate.
 Diffuser: made in polycarbonate.
 Regulations: Produced according to applicable EN60598-1 CEI 34-21 standards, degree of protection according to EN 60529 standards.
 LED: high-efficiency light sources 2200lm - 24W - 4000K - CRI 80
 Power factor: 0.9
 Photobiological safety class: Exempt group.
 Luminous flux maintenance 70%: 50.000h (L70B50).



Code	Gear	Kg	Lumen Output-K-CRI	WTot	Colour
22042110-00	CLD CELL	1.65	LED-2200lm-4000K-CRI 80	23 W	WHITE



Download

DXF 2D
 - elba.dxf

The reported luminous flux is the flux emitted by the light source with a tolerance of $\pm 10\%$ compared to the indicated value. The W tot column indicates the total wattage absorbed by the system without exceeding 10% of the indicated