

Joy - MASTERLED AR111 220-240v - Base

For optimal accent lighting and to illuminate objects or spaces it is necessary to create the appropriate contrasts and right atmospheres, to make a room a place where people live and watch pleasantly and naturally. The new Joy series helps achieve all this.

Housing: High-temperature resistant techno-polymer.

Reflector: Oxidised polished aluminium.

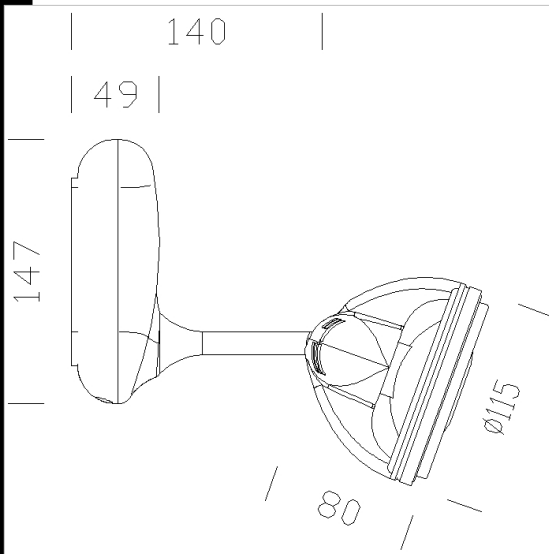
Standard supply: Includes adapter in track mounted versions.

Regulations: Manufactured in accordance with standards EN60598 – CEI 34 –21. Degree of protection in accordance with standards EN60529.

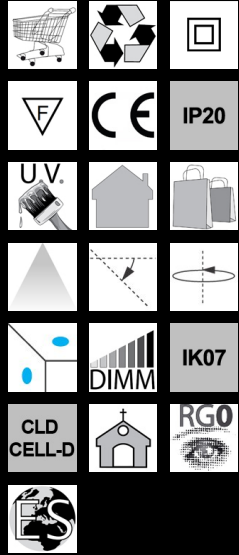
Power factor: 0.9

Luminous flux maintenance: 70% 40000h (L70B50)

Photobiological safety class: exempt group EN62471.



Code	Gear	Kg	Lumen Output-K-CRI	WTot	Colour
22041716-00	CLD CELL-D	0.45	MASTERLED AR111-760lm-2700K-24°-CRI 80	13 W	BIANCO
22041736-00	CLD CELL-D	0.39	MASTERLED AR111-760lm-2700K-24°-CRI 80	13 W	NERO
22041776-00	CLD CELL-D	0.40	MASTERLED AR111-760lm-2700K-24°-CRI 80	13 W	ARGENTO
22041717-00	CLD CELL-D	0.45	MASTERLED AR111-722lm-3000K-24°-CRI 80	16 W	BIANCO
22041737-00	CLD CELL-D	0.40	MASTERLED AR111-722lm-3000K-24°-CRI 80	16 W	NERO
22041777-00	CLD CELL-D	0.40	MASTERLED AR111-722lm-3000K-24°-CRI 80	16 W	ARGENTO



Download

DXF 2D
- joybar.dxf

The reported luminous flux is the flux emitted by the light source with a tolerance of $\pm 10\%$ compared to the indicated value. The W tot column indicates the total wattage absorbed by the system without exceeding 10% of the indicated