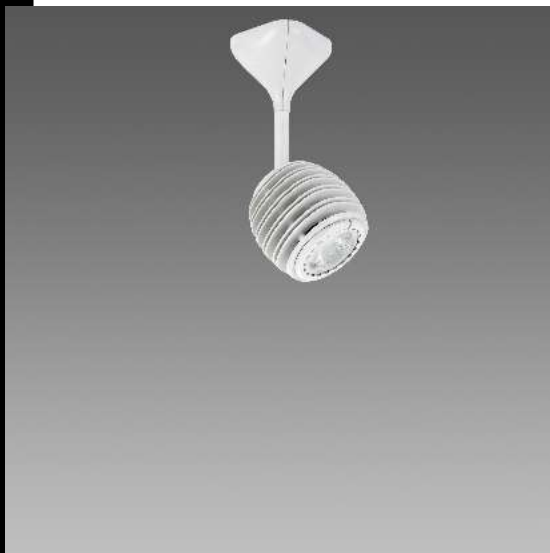


Download

DXF 2D
- kim2alob.dxf



Kim 2 basetta - LED

Proper lighting of objects requires carefully balanced light/shadow and luminous effects conferring life to the area to be illuminated. The new line of Kim2 spotlights, with its clean outline and modern design, is ideal when creating just the contrasts and atmosphere we have in mind.

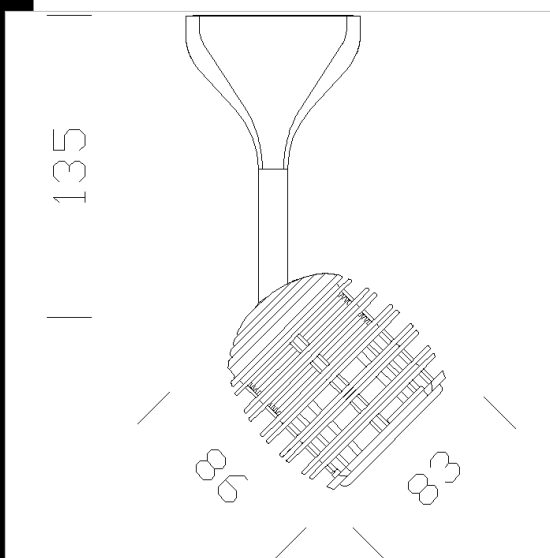
Housing: High-temperature resistant techno-polymer.

Regulations: Manufactured in accordance with standards EN60598 – CEI 34 –21. Degree of protection in accordance with standards EN60529.

Power factor: 0.8

Luminous flux maintenance 70% 25000h (L70B50)

Photobiological safety class: exempt group EN62471.



Code	Gear	Kg	Lumen Output-K-CRI	WTot	Base	Colour
22041031-00	CLD CELL-D	0.25	LED COB-600lm-3000K-38°-CRI 80	6 W	GU10	NERO
22041071-00	CLD CELL-D	0.25	LED COB-600lm-3000K-38°-CRI 80	6 W	GU10	ARGENTO
22041011-00	CLD CELL-D	0.25	LED COB-600lm-3000K-38°-CRI 80	6 W	GU10	BIANCO

The reported luminous flux is the flux emitted by the light source with a tolerance of $\pm 10\%$ compared to the indicated value. The W tot column indicates the total wattage absorbed by the system without exceeding 10% of the indicated