



Download

DXF 2D
- 40275.dxf

Montaggi
- argostar.pdf



Argostar wall

Due to the technological advancement achieved by our company, we have been able to create a spotlight for interior lighting. Thanks to the special process used to make the cone, the spotlight's diffused light provides a no-glare illumination suitable for any architectural context.

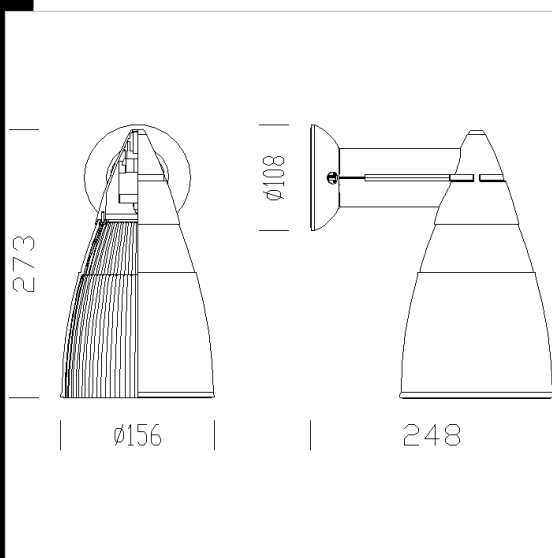
Housing: High-temperature resistant thermoplastic material. Includes a spherical polycarbonate cone diffuser.

Lampholder: Polycarbonate with phosphor bronze contacts

Electric gear: 230V-50Hz power supply; 2 pole wire, 0.75 sqmm cross section. 2P terminal block (maximum allowed lead cross section 2.5 sqmm.)

Regulations: Manufactured in accordance with standards EN60598 - CEI 34 -21. Degree of protection in accordance with standards EN60529.

Coloured ring supplied separately.



The reported luminous flux is the flux emitted by the light source with a tolerance of $\pm 10\%$ compared to the indicated value. The W tot column indicates the total wattage absorbed by the system without exceeding 10% of the indicated