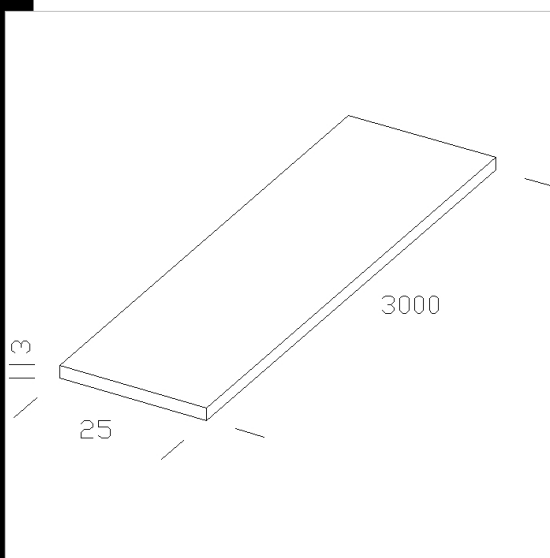
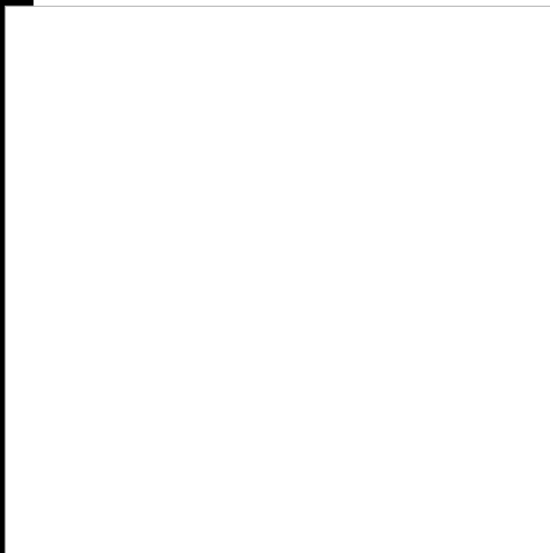


## Screen for Microliset's profile

### Download

DXF 2D  
- schermomicroliset.dxf



Code	Kg	WTot	Colour
22028540-00	0.00	0 W	OPAL
22028841-00	0.00	0 W	
22028842-00	0.00	0 W	TRANSPARENT

### Products



- Microliset - 4000K - CRI 80



- Microliset opal - 3000K - CRI



- Microliset - for solid line -



- Microliset HO - 3000K - CRI



- Microliset - 3000K - CRI 92



- Microliset HO - 4000K - CRI 80



- Microliset - for solid line - 3000K - CRI 92



- Microliset HO - 6500K - CRI 80

The reported luminous flux is the flux emitted by the light source with a tolerance of  $\pm 10\%$  compared to the indicated value. The W tot column indicates the total wattage absorbed by the system without exceeding 10% of the indicated