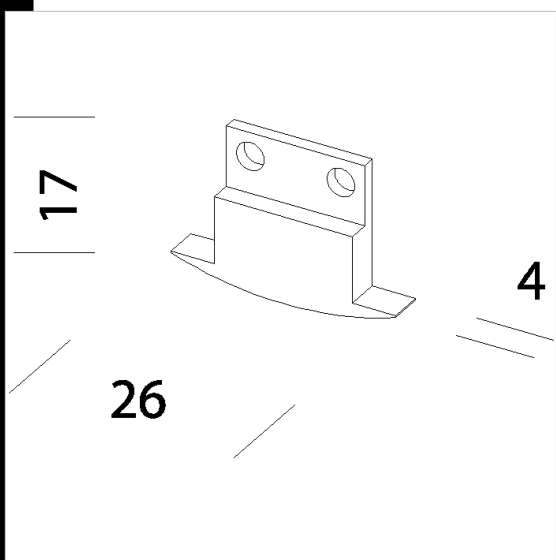
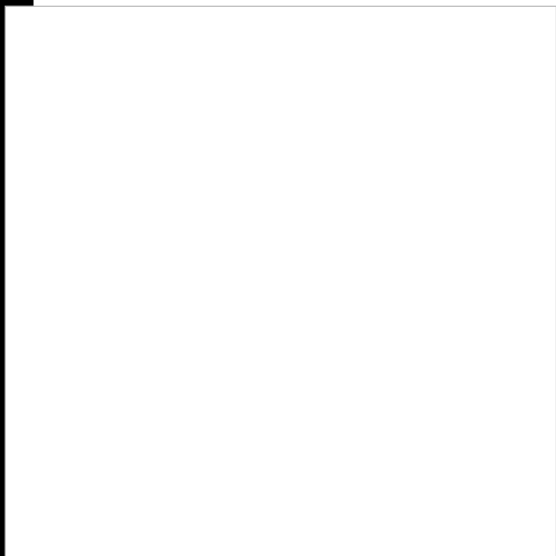


### End cap - Linea LED

package containing 2 pc.

**Download**

DXF 2D  
- 28070.dxf



Code	Kg	WTot
22028070-00	0,01	0 W

**Prodotti**



- Linea LED "arredi"

The reported luminous flux is the flux emitted by the light source with a tolerance of  $\pm 10\%$  compared to the indicated value. The W tot column indicates the total wattage absorbed by the system without exceeding 10% of the indicated