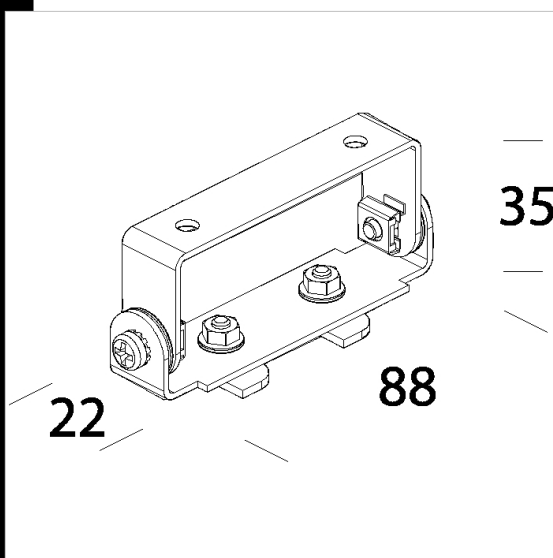
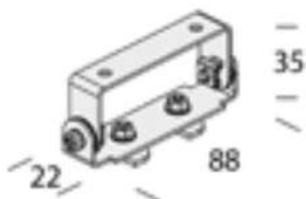


Download

DXF 2D
- 27077.dxf



| Code | Kg | WTot | Colour |
|-------------|------|------|----------|
| 22027077-00 | 0.07 | 0 W | OSSIDATO |

Products



- Maxi Liset IP54 LED



- Maxi Liset IP40 LED



- Maxi Liset IP54



- Maxi Liset IP40 - Full light

The reported luminous flux is the flux emitted by the light source with a tolerance of $\pm 10\%$ compared to the indicated value. The W tot column indicates the total wattage absorbed by the system without exceeding 10% of the indicated