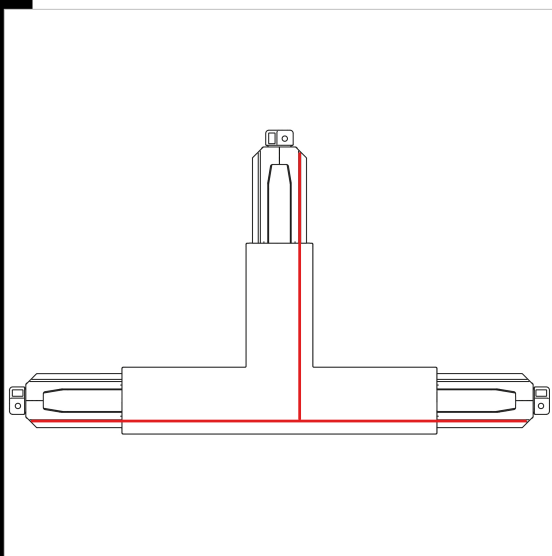


T-shaped, external right sided joint

It provides "right-sided" electric connection and mechanical connection for the T-shaped joint.

Download

DXF 2D
- 26613.dxf



Code	Kg	WTot	Colour
22026613-00	0,30	0 W	WHITE
22026633-00	0,30	0 W	BLACK

Prodotti



- Omnitrack PLUS - DIMM - 6



- Omnitrack PLUS - recessed -

The reported luminous flux is the flux emitted by the light source with a tolerance of $\pm 10\%$ compared to the indicated value. The W tot column indicates the total wattage absorbed by the system without exceeding 10% of the indicated