

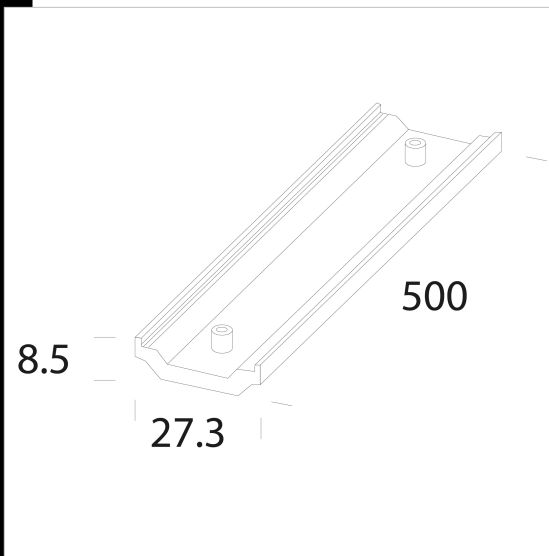
Download

DXF 2D
- 26573.dxf



Jointing bracket

It permits mechanical connection of track. Use with acc. 22026218-00



Code	Kg	WTot	Colour
22026573-00	0,02	0 W	ALUMINIUM

Prodotti



- Omnitrack H - Dimm - 6

The reported luminous flux is the flux emitted by the light source with a tolerance of $\pm 10\%$ compared to the indicated value. The W tot column indicates the total wattage absorbed by the system without exceeding 10% of the indicated